



Energy Battery Storage Connector 200A Socket Busbar Terminal(M8 screw) 8.0mm Black

Part Number:

**FSP200180CW-UM81BRH**



### Basic Information

Connector Type	Socket
Orientation	Straight
Color	Black
Mounting Type	Panel Mount
Key	W

### Material Specification

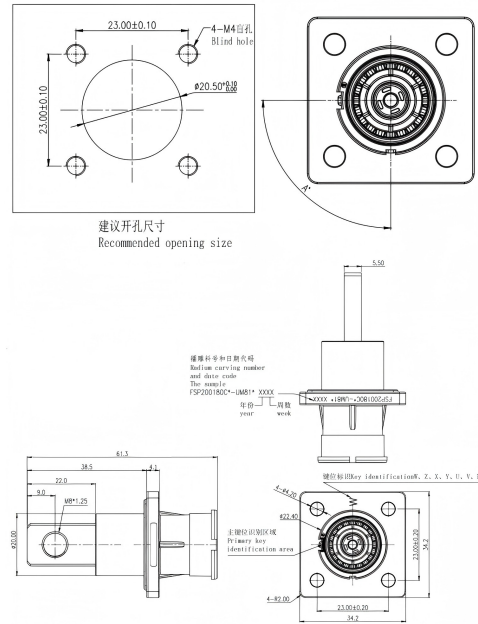
Shell Material	Nylon
Contact Finish	Silver Plating

### Environmental Specification

Operating Temperature	-40°C to +125°C
Flammability	UL94 V-0

**Electrical Specification**

Rated Current	200A
Rated Voltage	1000V

**Size**

**Disclaimer**

The information in this specification is subject to change without notice. Please confirm the latest version before use. Technical parameters are for reference only, and sufficient testing and verification should be conducted in actual applications.