



Battery Storage Connector 8mm 100A-500A Right angle Plug 70mm<sup>2</sup> Orange

Part Number:

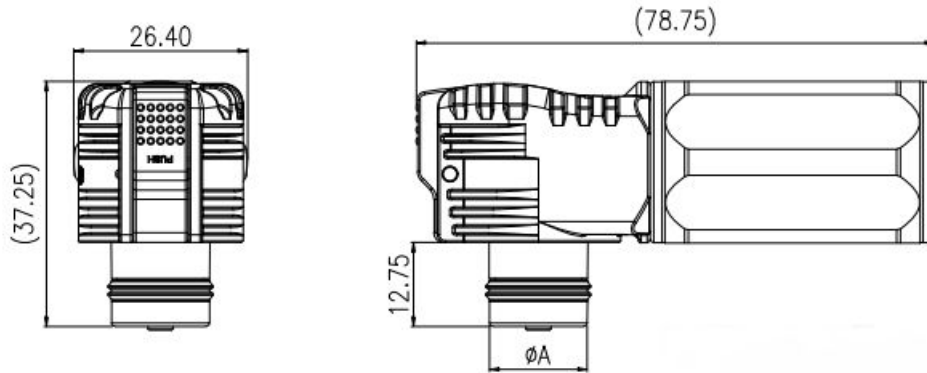
**FSE80180P-70A3**

Basic Information	
Connector Type	Plug
Orientation	Right Angle
Color	Orange
Contact Size	8mm
Wire Gauge	70mm <sup>2</sup>
Contact Termination	Busbar/Outer screw
Mating Cycles	>500
Certificate	UL/TUV

Material Specification	
Insulation Material	Copper Alloy

Environmental Specification	
Operating Temperature	-40°C to +125°C
Ingress Protection	IP67
Salt Spray Resistance	144H (Mating State)

Electrical Specification	
Rated Current	100A-500A
Rated Voltage	DC 1500V
Insulation Resistance	5000MΩ MIN (drying) 200MΩ MIN (RH 95%)
Contact Resistance	0.3 MΩ Max

**Size****Disclaimer**

The information in this specification is subject to change without notice. Please confirm the latest version before use. Technical parameters are for reference only, and sufficient testing and verification should be conducted in actual applications.