



Battery Storage Connector 8mm 100A-500A Right angle Plug 50mm² Orange

Part Number:

FSE80180P-50A3

Basic Information

| | |
|---------------------|--------------------|
| Connector Type | Plug |
| Orientation | Right Angle |
| Color | Orange |
| Contact Size | 8mm |
| Wire Gauge | 50mm ² |
| Contact Termination | Busbar/Outer screw |
| Mating Cycles | >500 |
| Certificate | UL/TUV |

Material Specification

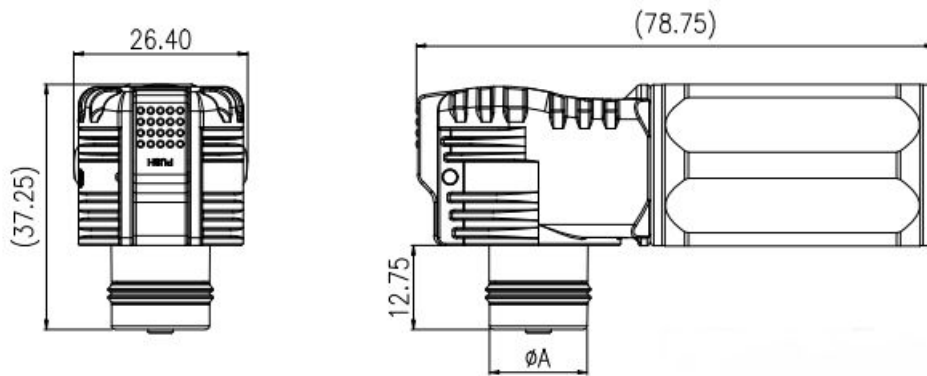
| | |
|---------------------|--------------|
| Insulation Material | Copper Alloy |
|---------------------|--------------|

Environmental Specification

| | |
|-----------------------|---------------------|
| Operating Temperature | -40°C to +125°C |
| Ingress Protection | IP67 |
| Salt Spray Resistance | 144H (Mating State) |

Electrical Specification

| | |
|-----------------------|--|
| Rated Current | 100A-500A |
| Rated Voltage | DC 1500V |
| Insulation Resistance | 5000MΩ MIN (drying) 200MΩ MIN (RH 95%) |
| Contact Resistance | 0.3 MΩ Max |

Size**Disclaimer**

The information in this specification is subject to change without notice. Please confirm the latest version before use. Technical parameters are for reference only, and sufficient testing and verification should be conducted in actual applications.