



Battery Storage Connector 10.3mm 100A-500A Right angle Plug 95mm<sup>2</sup> Black

Part Number:

**FSE80110Q-95B3**



### Basic Information

Connector Type	Plug
Orientation	Right Angle
Color	Black
Contact Size	10.3mm
Wire Gauge	95mm <sup>2</sup>
Contact Termination	Busbar/Outer screw
Mating Cycles	>500
Certificate	UL/TUV

### Material Specification

Insulation Material	Copper Alloy
---------------------	--------------

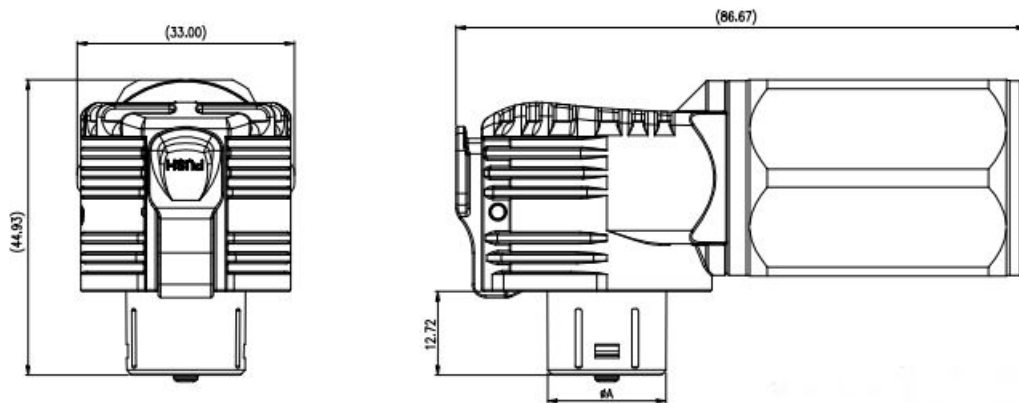
### Environmental Specification

Operating Temperature	-40°C to +125°C
Ingress Protection	IP67
Salt Spray Resistance	144H (Mating State)

**Electrical Specification**

Rated Current	100A-500A
Rated Voltage	DC 1500V
Insulation Resistance	5000MΩ MIN ( drying ) 200MΩ MIN ( RH 95% )
Contact Resistance	0.3 MΩ Max

**Size**



**Disclaimer**

The information in this specification is subject to change without notice. Please confirm the latest version before use. Technical parameters are for reference only, and sufficient testing and verification should be conducted in actual applications.