



Energy Battery Storage Connector 8mm 100A-500A
Straight Socket Flange Black Copper Busbar M8
Threaded Hole

Part Number:

FSE2A180Q-M8B

Basic Information

Connector Type	Socket
Orientation	Straight
Color	Black
Contact Size	8mm
Contact Termination	Busbar/Outer screw
Mating Cycles	>500
Certificate	UL/TUV

Material Specification

Insulation Material	Copper Alloy
---------------------	--------------

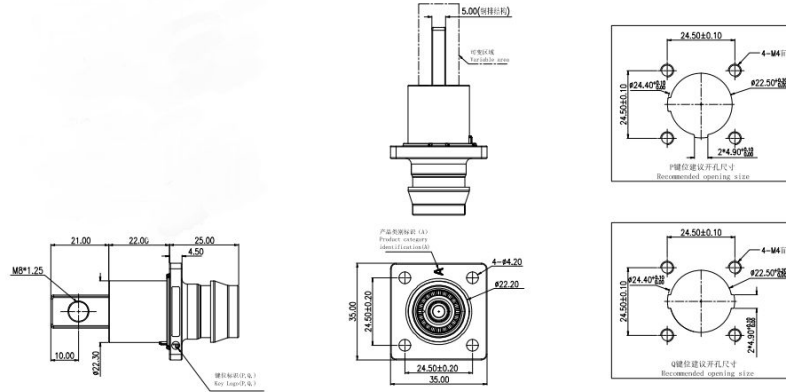
Environmental Specification

Operating Temperature	-40°C to +125°C
Ingress Protection	IP67
Salt Spray Resistance	144H (Mating State)

Electrical Specification

Rated Current	100A-500A
Rated Voltage	DC 1500V
Insulation Resistance	5000MΩ MIN (drying) 200MΩ MIN (RH 95%)
Contact Resistance	0.3 MΩ Max

Size



Disclaimer

The information in this specification is subject to change without notice. Please confirm the latest version before use. Technical parameters are for reference only, and sufficient testing and verification should be conducted in actual applications.