



Battery Storage Connector 13mm 100A-500A Straight Socket Orange Copper Busbar M10 Threaded Hole

Part Number:

FSE2A113P-M10AH

Basic Information

| | |
|---------------------|--------------------|
| Connector Type | Socket |
| Orientation | Straight |
| Color | Orange |
| Contact Size | 13mm |
| Contact Termination | Busbar/Outer screw |
| Mating Cycles | >500 |
| Certificate | UL/TUV |

Material Specification

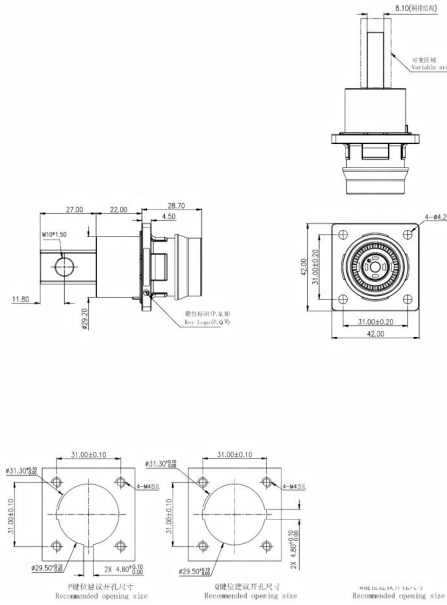
| | |
|---------------------|--------------|
| Insulation Material | Copper Alloy |
|---------------------|--------------|

Environmental Specification

| | |
|-----------------------|---------------------|
| Operating Temperature | -40°C to +125°C |
| Ingress Protection | IP67 |
| Salt Spray Resistance | 144H (Mating State) |

Electrical Specification

| | |
|-----------------------|----------------------------------------|
| Rated Current | 100A-500A |
| Rated Voltage | DC 1500V |
| Insulation Resistance | 5000MΩ MIN (drying) 200MΩ MIN (RH 95%) |
| Contact Resistance | 0.3 MΩ Max |

Size

Disclaimer

The information in this specification is subject to change without notice. Please confirm the latest version before use. Technical parameters are for reference only, and sufficient testing and verification should be conducted in actual applications.