



Energy Battery Storage Connector 350A Socket Busbar Terminal(M10 screw) 12mm Red

Part Number:

FCC12BS-M1RL



Basic Information	
Connector Type	Socket
Orientation	Right Angle
Color	Red
Contact Termination	Crimp
Mounting Type	Cable Mount
Mating Cycles	>500
Terminal	12mm

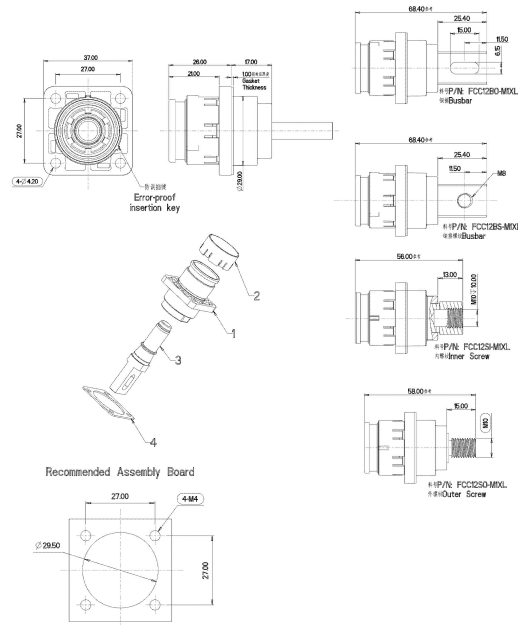
Material Specification	
Shell Material	Nylon
Contact Finish	Silver Plating

Environmental Specification	
Operating Temperature	-40°C to +125°C
Flammability	UL94 V-0
Ingress Protection	IP67

Electrical Specification

Rated Current	350A
Rated Voltage	1000V
Insulation Resistance	$\geq 1000M\Omega$

Size



Disclaimer

The information in this specification is subject to change without notice. Please confirm the latest version before use. Technical parameters are for reference only, and sufficient testing and verification should be conducted in actual applications.