



Energy Battery Storage Connector 350A Socket Busbar Terminal 12mm Black

Part Number:

FCC12BS-M1BL



Basic Information

Connector Type	Socket
Orientation	Right Angle
Color	Black
Contact Termination	Crimp
Mounting Type	Cable Mount
Mating Cycles	>500
Terminal	12mm

Material Specification

Shell Material	Nylon
Contact Finish	Silver Plating

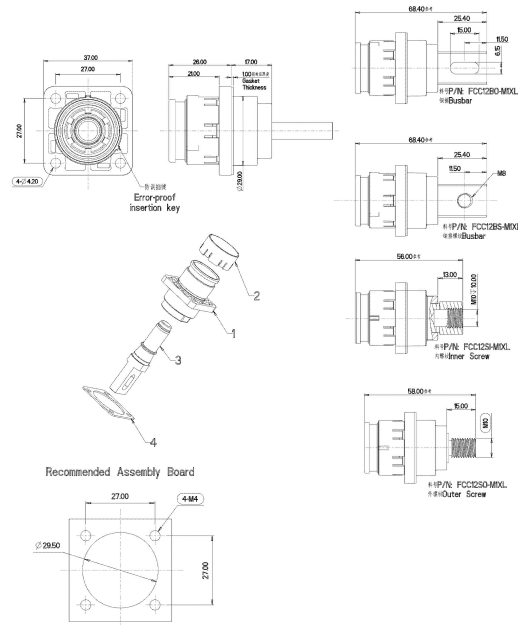
Environmental Specification

Operating Temperature	-40°C to +125°C
Flammability	UL94 V-0
Ingress Protection	IP67

Electrical Specification

Rated Current	350A
Rated Voltage	1000V
Insulation Resistance	$\geq 1000M\Omega$

Size



Disclaimer

The information in this specification is subject to change without notice. Please confirm the latest version before use. Technical parameters are for reference only, and sufficient testing and verification should be conducted in actual applications.