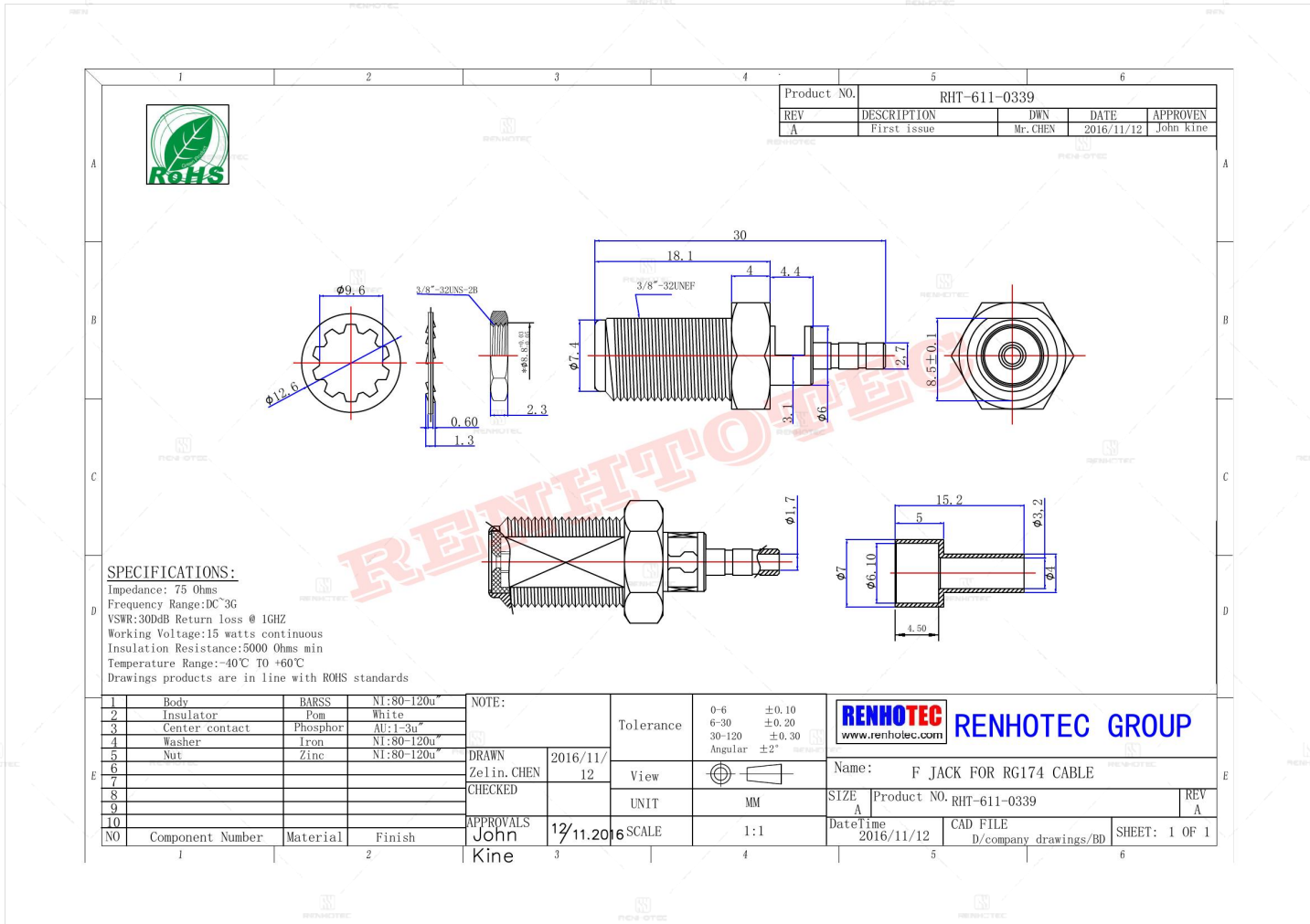


F Type Connector Straight Jack Crimp Cable Bulkhead RG316 - RHT-611-0339



Drawing



Basic Information

Connector Type	Jack
Fastening Type	3/8-32 Threaded
Mounting Feature	Bulkhead
Mounting Type	Cable Mount
Orientation	Straight
RF Series	F Type

Mechanical Specification

Contact Retention	20 in-lbs min.
Contact Termination Style	Solder
Mating Durability	≥ 500 Cycles

Environmental Specification

Temperature Range	-40°C to +140°C
--------------------------	-----------------

Material Specification

Shield Termination	Crimp
---------------------------	-------

Material and Finish

Component Description	Material	Finish
Shell	Copper Alloy	Nickel Plated
Insulator	POM	
Center Contact	Brass	Tin Plated

Impedance Testing

Impedance	75 ohm
------------------	--------

Frequency & VSWR Test Report

Frequency Range	DC-1GHz
VSWR	R/A type ≤ 1.3MAX, Straight type ≤ 1.2 MAX



Contact Resistance Test

Contact Type	Female Pin
Center Contact Resistance	≅ 10 MΩ (Milliohms Max.)
Outer Contact Resistance	≅ 5 MΩ (Milliohms Max.)



Working Voltage & Insulation Resistance Test

Insulation Resistance	≥1000MΩ
-----------------------	---------



Version History

REV	Date	Revise Contents	Drafter	Approver
A.0	2026.4.13	The initial formulation	Esther	Joson

Disclaimer

The information in this specification is subject to change without notice. Please confirm the latest version before use. Technical parameters are for reference only, and sufficient testing and verification should be conducted in actual applications.