
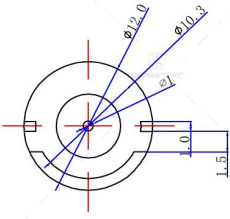


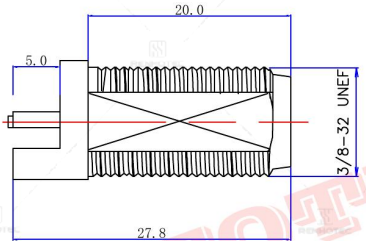
F Type Connector Straight Jack Edge Mount 75 Ohm - RHT-611-0336

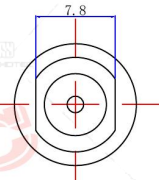


Drawing


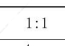

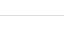








		Product NO. RHT-611-0336				
		REV	DESCRIPTION	DWN	DATE	APPROVEN
		A	First issue	Mr. CHEN	2016/11/12	John kine







SPECIFICATIONS:
 Impedance: 75 Ohms
 Frequency Range: DC~3G
 VSWR: 30dB Return loss @ 1GHZ
 Working Voltage: 15 watts continuous
 Insulation Resistance: 5000 Ohms min
 Temperature Range: -40°C TO +60°C
 Drawings products are in line with ROHS standards

1	Body	BARSS	NI:80-120u	NOTE:	Tolerance	0-6	±0.10													
2	Insulator	Pom	White			6-30	±0.20													30-120
3	Center contact	Phosphor	AU:1-3u"																	
4																				
5																				
6																				
7																				
8																				
9																				
10																				
NO	Component Number	Material	Finish	APPROVALS	12/11.2016	SCALE	1:1	Date	2016/11/12	CAD FILE	D/company drawings/BD	SHEET: 1 OF 1								

Basic Information

Connector Type	Jack
Fastening Type	3/8-32 Threaded
Mounting Feature	Edge Mount
Mounting Type	Panel Mount
Orientation	Straight
RF Series	F Type

Mechanical Specification

Contact Retention	20 in-lbs min.
Contact Termination Style	Solder
Mating Durability	≥ 500 Cycles

Environmental Specification

Temperature Range	-40°C to +140°C
--------------------------	-----------------

Material and Finish

Component Description	Material	Finish
Shell	Copper Alloy	Nickel Plated
Insulator	POM	
Center Contact	Brass	Tin Plated

Impedance Testing

Impedance	75 ohm
-----------	--------

Frequency & VSWR Test Report

Frequency Range	DC-1GHz
VSWR	R/A type ≤ 1.3MAX, Straight type ≤ 1.2 MAX



Contact Resistance Test

Contact Type	Female Pin
Center Contact Resistance	≅ 10 MΩ (Milliohms Max.)
Outer Contact Resistance	≅ 5 MΩ (Milliohms Max.)



Working Voltage & Insulation Resistance Test

Insulation Resistance	≥1000MΩ
-----------------------	---------



Version History

REV	Date	Revise Contents	Drafter	Approver
A.0	2026.4.13	The initial formulation	Esther	Joson

Disclaimer

The information in this specification is subject to change without notice. Please confirm the latest version before use. Technical parameters are for reference only, and sufficient testing and verification should be conducted in actual applications.