
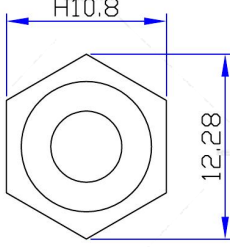
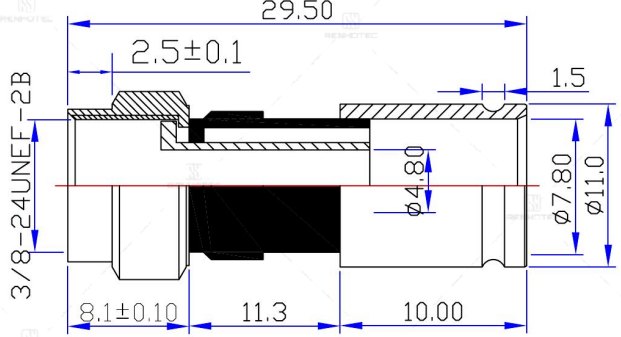





F Type Connector Straight Male Plug Compression RG6 Cable 75 Ohm - RHT-611-0302



Drawing

			Product NO. RHT-611-0302																																						
			REV	DESCRIPTION	DWN	DATE	APPROVEN																																		
			A	First issue	SAM	2016/06/25	JIM.KING																																		
			B	Add detailed parameters	Gavin 2016/10/07 JIM.KING																																				
																																									
<p>Specifications: IMPEDANCE: 75 Ohms Frequency range:0~3GHZ VSWR:30db Return loss @ 1GHZ Working voltage:15 watts @ continuous Insulation resistance:5000 Ohms min Temperature range:-40°C TO +125°C Relative temperature:≤95%(40°C±2°C)</p>																																									
<table border="1" style="width:100%; border-collapse: collapse;"> <tr> <td style="width:10%; text-align: center;">1</td> <td style="width:10%;">Body</td> <td style="width:10%;">Brass</td> <td style="width:10%;">NICKEL</td> </tr> <tr> <td style="text-align: center;">2</td> <td>Insulation</td> <td>ABS</td> <td>BLACK</td> </tr> <tr> <td style="text-align: center;">NO</td> <td>Component Number</td> <td>Material</td> <td>Finish</td> </tr> </table>		1	Body	Brass	NICKEL	2	Insulation	ABS	BLACK	NO	Component Number	Material	Finish	<table border="1" style="width:100%; border-collapse: collapse;"> <tr> <td colspan="2" style="text-align: center;"> -TOLERANCES- UNLESS OTHERWISE SPECIFIED </td> <td colspan="2" style="text-align: center;">  RENHOTEC GROUP www.renhotec.com </td> </tr> <tr> <td style="text-align: center;">0.15</td> <td style="text-align: center;">0.30</td> <td style="text-align: center;">Appd:</td> <td style="text-align: center;">Title: F MALE FOR RG6 CABLE</td> </tr> <tr> <td style="text-align: center;">0.10</td> <td style="text-align: center;">0.25</td> <td style="text-align: center;">Check: Xiang Tan</td> <td style="text-align: center;">P/N: RHT-611-0302</td> </tr> <tr> <td style="text-align: center;">0.05</td> <td style="text-align: center;">0.20</td> <td style="text-align: center;">Draw: Dwen</td> <td style="text-align: center;">Date: 2016.10.06</td> </tr> <tr> <td></td> <td></td> <td style="text-align: center;">Scale: Free</td> <td style="text-align: center;">Unit: MM</td> </tr> <tr> <td></td> <td></td> <td style="text-align: center;">Type: Z</td> <td style="text-align: center;">Page: 1/1</td> </tr> </table>				-TOLERANCES- UNLESS OTHERWISE SPECIFIED		 RENHOTEC GROUP www.renhotec.com		0.15	0.30	Appd:	Title: F MALE FOR RG6 CABLE	0.10	0.25	Check: Xiang Tan	P/N: RHT-611-0302	0.05	0.20	Draw: Dwen	Date: 2016.10.06			Scale: Free	Unit: MM			Type: Z	Page: 1/1
1	Body	Brass	NICKEL																																						
2	Insulation	ABS	BLACK																																						
NO	Component Number	Material	Finish																																						
-TOLERANCES- UNLESS OTHERWISE SPECIFIED		 RENHOTEC GROUP www.renhotec.com																																							
0.15	0.30	Appd:	Title: F MALE FOR RG6 CABLE																																						
0.10	0.25	Check: Xiang Tan	P/N: RHT-611-0302																																						
0.05	0.20	Draw: Dwen	Date: 2016.10.06																																						
		Scale: Free	Unit: MM																																						
		Type: Z	Page: 1/1																																						
1	2	3	4	5	6																																				

Basic Information

Connector Type	Plug
Fastening Type	3/8-32 Threaded
Mounting Type	Cable Mount
Orientation	Straight
RF Series	F Type

Mechanical Specification

Contact Retention	20 in-lbs min.
Mating Durability	≥ 500 Cycles

Environmental Specification

Temperature Range	-40°C to +140°C
-------------------	-----------------

Material Specification

Shield Termination	Compression
--------------------	-------------

Material and Finish

Component Description	Material	Finish
Shell	Copper Alloy	Nickel Plated

Impedance Testing

Impedance	75 ohm
-----------	--------

Frequency & VSWR Test Report

Frequency Range	DC-1GHz
VSWR	R/A type ≤ 1.3MAX, Straight type ≤ 1.2 MAX



Contact Resistance Test

Contact Type	Male Pin
Center Contact Resistance	≅ 10 MΩ (Milliohms Max.)
Outer Contact Resistance	≅ 5 MΩ (Milliohms Max.)



Working Voltage & Insulation Resistance Test

Insulation Resistance	≥1000MΩ
-----------------------	---------



Version History

REV	Date	Revise Contents	Drafter	Approver
A.0	2026.4.13	The initial formulation	Esther	Joson

Disclaimer

The information in this specification is subject to change without notice. Please confirm the latest version before use. Technical parameters are for reference only, and sufficient testing and verification should be conducted in actual applications.