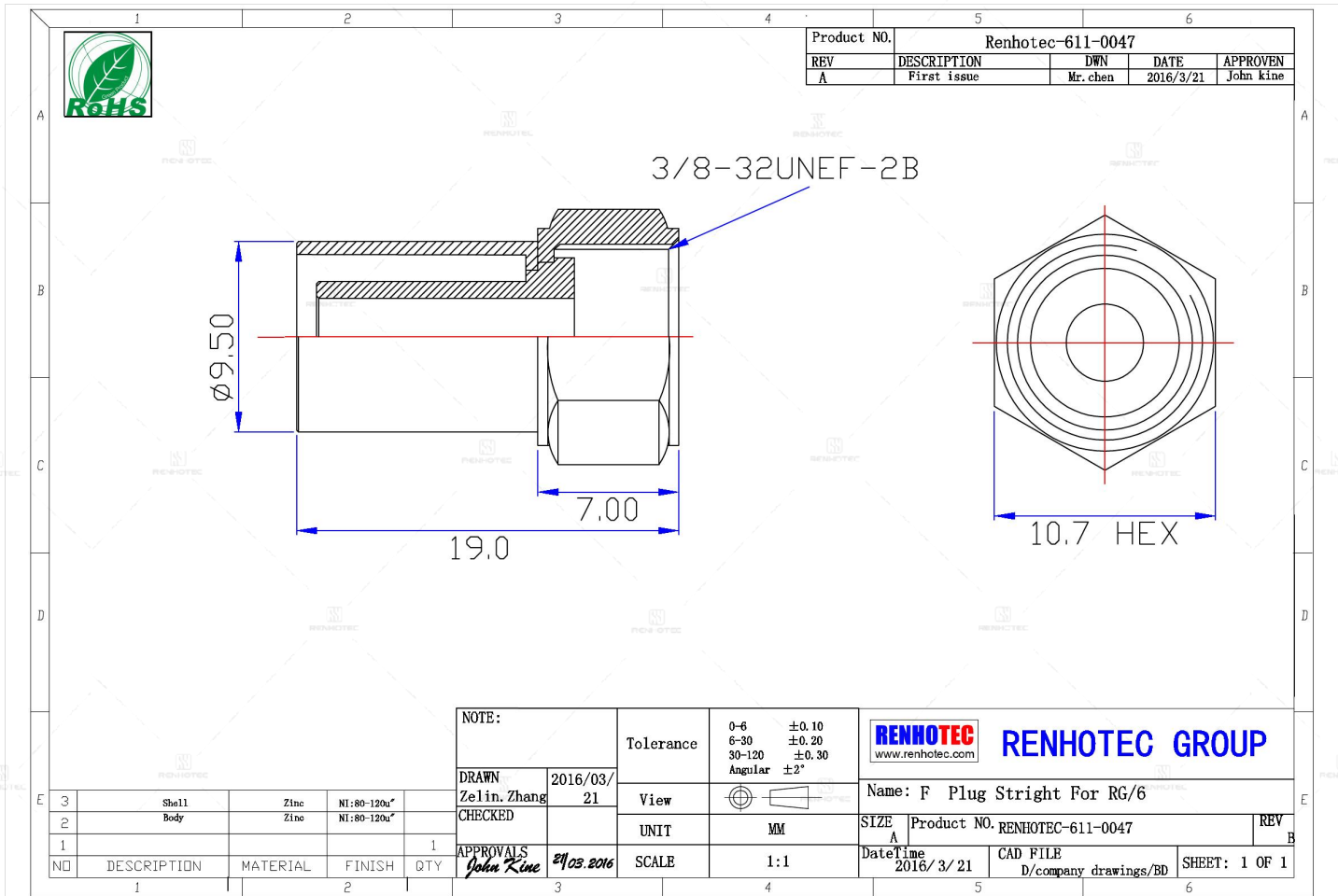


F Type Connector Straight Male Crimp Cable Type RG6 - RHT-611-0047



Drawing



Basic Information

| | |
|----------------|-----------------|
| Connector Type | Plug |
| Fastening Type | 3/8-32 Threaded |
| Mounting Type | Cable Mount |
| Orientation | Straight |
| RF Series | F Type |

Mechanical Specification

| | |
|-------------------|----------------|
| Contact Retention | 20 in-lbs min. |
| Mating Durability | ≥ 500 Cycles |

Environmental Specification

| | |
|-------------------|-----------------|
| Temperature Range | -40°C to +140°C |
|-------------------|-----------------|

Material Specification

| | |
|--------------------|-------|
| Shield Termination | Crimp |
|--------------------|-------|

Material and Finish

| Component Description | Material | Finish |
|-----------------------|------------|---------------|
| Shell | Zinc Alloy | Nickel Plated |

Impedance Testing

| | |
|-----------|--------|
| Impedance | 75 ohm |
|-----------|--------|

Frequency & VSWR Test Report

| | |
|-----------------|--|
| Frequency Range | DC-1GHz |
| VSWR | R/A type ≤ 1.3MAX, Straight type ≤ 1.2 MAX |



Contact Resistance Test

| | |
|---------------------------|--------------------------|
| Contact Type | Male Pin |
| Center Contact Resistance | ≅ 10 MΩ (Milliohms Max.) |
| Outer Contact Resistance | ≅ 5 MΩ (Milliohms Max.) |



Working Voltage & Insulation Resistance Test

| | |
|-----------------------|---------|
| Insulation Resistance | ≥1000MΩ |
|-----------------------|---------|



Version History

| REV | Date | Revise Contents | Drafter | Approver |
|-----|-----------|-------------------------|---------|----------|
| A.0 | 2026.4.13 | The initial formulation | Esther | Joson |

Disclaimer

The information in this specification is subject to change without notice. Please confirm the latest version before use. Technical parameters are for reference only, and sufficient testing and verification should be conducted in actual applications.