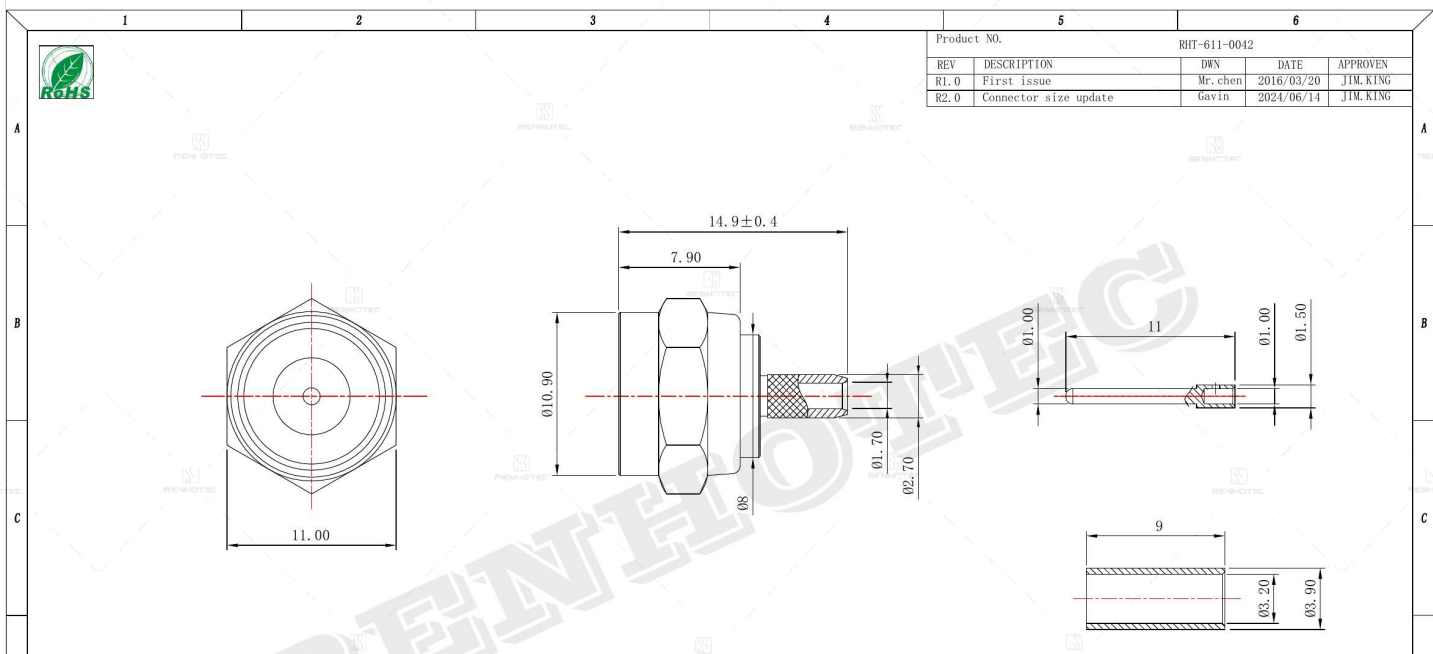


**F Type Connector Straight Male Crimp Cable Type RG179 - RHT-611-0042**



**Drawing**



**Basic Information**

<b>Connector Type</b>	Plug
<b>Fastening Type</b>	3/8-32 Threaded
<b>Mounting Type</b>	Cable Mount
<b>Orientation</b>	Straight
<b>RF Series</b>	F Type

**Mechanical Specification**

<b>Contact Retention</b>	20 in-lbs min.
<b>Contact Termination Style</b>	Crimp
<b>Mating Durability</b>	≥ 500 Cycles

**Environmental Specification**

<b>Temperature Range</b>	-40°C to +140°C
--------------------------	-----------------

**Material Specification**

<b>Shield Termination</b>	Crimp
---------------------------	-------

**Material and Finish**

Component Description	Material	Finish
Shell	Copper Alloy	Nickel Plated
Insulator	PTFE	
Center Contact	Brass	Nickel Plated

**Impedance Testing**

<b>Impedance</b>	75 ohm
------------------	--------

**Frequency & VSWR Test Report**

Frequency Range	DC-1GHz
VSWR	R/A type ≤ 1.3MAX, Straight type ≤ 1.2 MAX



**Contact Resistance Test**

Contact Type	Male Pin
Center Contact Resistance	≅ 10 MΩ (Milliohms Max.)
Outer Contact Resistance	≅ 5 MΩ (Milliohms Max.)



### Working Voltage & Insulation Resistance Test

Insulation Resistance	≥1000MΩ
-----------------------	---------



### Version History

REV	Date	Revise Contents	Drafter	Approver
A.0	2026.4.13	The initial formulation	Esther	Joson

### Disclaimer

The information in this specification is subject to change without notice. Please confirm the latest version before use. Technical parameters are for reference only, and sufficient testing and verification should be conducted in actual applications.