
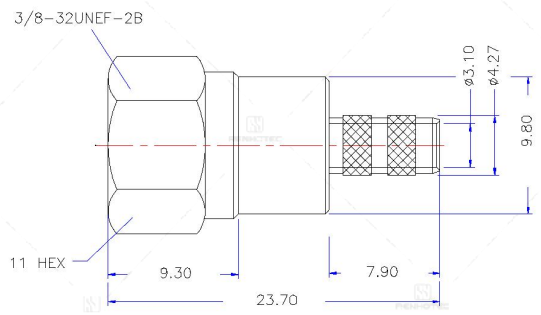


F Type Connector Straight Male Clamp Cable Type Bulkhead RG58 - RHT-611-0036

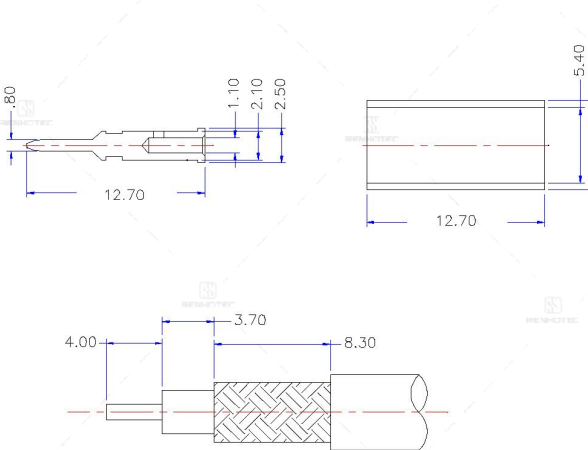


Drawing


| | | | | | | | | |
|---|--|--|--|--------------------------------------|-------------|----------|-----------|-----------|
| | | | | Product NO. Renhotec-611-0036 | | | | |
|  | | | | REV | DESCRIPTION | DWN | DATE | APPROVEN |
| | | | | A | First issue | Mr. chen | 2016/3/17 | John kine |



SPECIFICATIONS:
 Impedance: 75 Ohms
 Frequency Range: DC~3G
 VSWR: 30dB Return loss @ 1GHZ
 Working Voltage: 15 watts continuous
 Insulation Resistance: 5000 Ohms min
 Temperature Range: -40°C TO +60°C
 Drawings products are in line with ROHS standards



RECOMMENDED
CABLE STRIPPING DIM'S

| | | | | | | | |
|--------------|--|------------|--|-----------|--|---|-----|
| NOTE: | | | | Tolerance | 0-6 ±0.10 6-30 ±0.20 30-120 ±0.30 Angular ±2° |  RENHOTEK GROUP www.renhotec.com | |
| DRAWN | | 2016/03/17 | | View | Name: F plug(FOR RG58) | | |
| Zelin. Zhang | | 17 | | UNIT | SIZE A Product NO. RENHOTEK-611-0036 | | |
| CHECKED | | APPROVALS | | SCALE | DateTime | | REV |
| John Kine | | 17/03.2016 | | 1:1 | 2016/3/17 | | A |
| DESCRIPTION | | MATERIAL | | FINISH | | CAD FILE | |
| | | | | | | D/company drawings/BD | |
| | | | | | | SHEET: 1 OF 1 | |

Basic Information

| | |
|----------------|-----------------|
| Connector Type | Plug |
| Fastening Type | 3/8-32 Threaded |
| Mounting Type | Cable Mount |
| Orientation | Straight |
| RF Series | F Type |

Mechanical Specification

| | |
|---------------------------|----------------|
| Contact Retention | 20 in-lbs min. |
| Contact Termination Style | Solder |
| Mating Durability | ≥ 500 Cycles |

Environmental Specification

| | |
|-------------------|-----------------|
| Temperature Range | -40°C to +140°C |
|-------------------|-----------------|

Material Specification

| | |
|--------------------|-------|
| Shield Termination | Clamp |
|--------------------|-------|

Material and Finish

| Component Description | Material | Finish |
|-----------------------|--------------|---------------|
| Shell | Copper Alloy | Nickel Plated |
| Insulator | PTFE | |
| Center Contact | Brass | Nickel Plated |

Impedance Testing

| | |
|-----------|--------|
| Impedance | 75 ohm |
|-----------|--------|

Frequency & VSWR Test Report

| | |
|-----------------|--|
| Frequency Range | DC-1GHz |
| VSWR | R/A type ≤ 1.3MAX, Straight type ≤ 1.2 MAX |



Contact Resistance Test

| | |
|---------------------------|--------------------------|
| Contact Type | Male Pin |
| Center Contact Resistance | ≅ 10 MΩ (Milliohms Max.) |
| Outer Contact Resistance | ≅ 5 MΩ (Milliohms Max.) |



Working Voltage & Insulation Resistance Test

| | |
|-----------------------|---------|
| Insulation Resistance | ≥1000MΩ |
|-----------------------|---------|



Version History

| REV | Date | Revise Contents | Drafter | Approver |
|-----|-----------|-------------------------|---------|----------|
| A.0 | 2026.4.13 | The initial formulation | Esther | Joson |

Disclaimer

The information in this specification is subject to change without notice. Please confirm the latest version before use. Technical parameters are for reference only, and sufficient testing and verification should be conducted in actual applications.