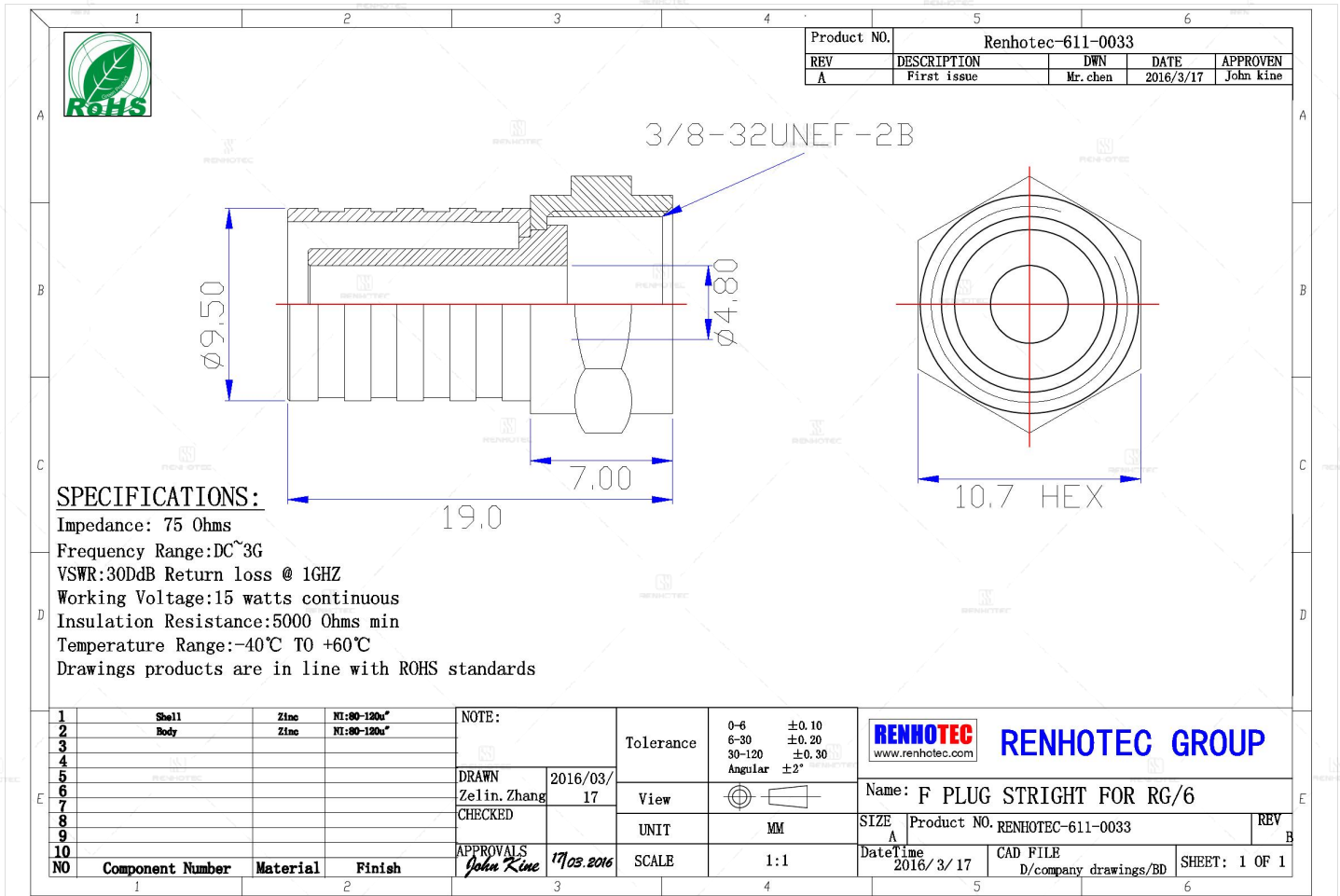


**F Type Connector Straight Male Clamp Cable Type 75 Ohm RG6 - RHT-611-0033**



**Drawing**



**Basic Information**

Connector Type	Plug
Fastening Type	3/8-32 Threaded
Mounting Type	Cable Mount
Orientation	Straight
RF Series	F Type

**Mechanical Specification**

Contact Retention	20 in-lbs min.
Mating Durability	≥ 500 Cycles

**Environmental Specification**

Temperature Range	-40°C to +140°C
-------------------	-----------------

**Material Specification**

Shield Termination	Clamp
--------------------	-------

**Material and Finish**

Component Description	Material	Finish
Shell	Copper Alloy	Nickel Plated

**Impedance Testing**

Impedance	75 ohm
-----------	--------

**Frequency & VSWR Test Report**

Frequency Range	DC-1GHz
VSWR	R/A type ≤ 1.3MAX, Straight type ≤ 1.2 MAX



**Contact Resistance Test**

Contact Type	Male Pin
Center Contact Resistance	≅ 10 MΩ (Milliohms Max.)
Outer Contact Resistance	≅ 5 MΩ (Milliohms Max.)



### Working Voltage & Insulation Resistance Test

Insulation Resistance	≥1000MΩ
-----------------------	---------



### Version History

REV	Date	Revise Contents	Drafter	Approver
A.0	2026.4.13	The initial formulation	Esther	Joson

### Disclaimer

The information in this specification is subject to change without notice. Please confirm the latest version before use. Technical parameters are for reference only, and sufficient testing and verification should be conducted in actual applications.