
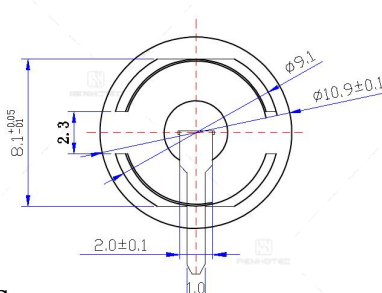


**F Type Connector Right Angle Jack Panel Mount Bulkhead - RHT-611-0016**



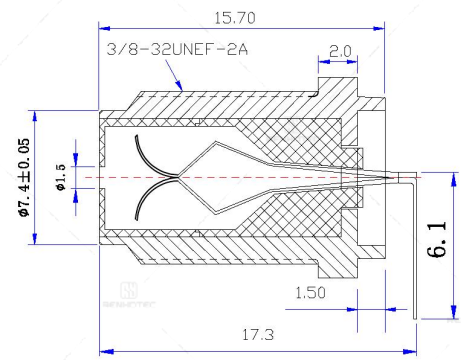
**Drawing**


1	2		3		4		5		6		
A											A
B											B
C											C
D											D
E											E

**SPECIFICATIONS:**  
 Impedance: 75 Ohms  
 Frequency Range: DC~3G  
 VSWR: 30dB Return loss @ 1GHZ  
 Working Voltage: 15 watts continuous  
 Insulation Resistance: 5000 Ohms min  
 Temperature Range: -40°C TO +60°C  
 Drawings products are in line with ROHS standards

Product NO.		Renhotec-611-0016			
REV	DESCRIPTION	DWN	DATE	APPROVEN	
A	First issue	Mr. CHEN	2016/3/15	John kine	



1	Body	Brass	NI:80-120u"	NOTE:	Tolerance	0-6 ±0.10	 <b>RENHOTECH GROUP</b> <a href="http://www.renhotec.com">www.renhotec.com</a>
2	Insulator	PP	White		6-30 ±0.20		
3	Center contact	Phosphor	SN		30-120 ±0.30		
4					Angular ±2°		
5							
6							
7							
8							
9							
10							
NO	Component Number	Material	Finish	APPROVALS	SCALE	1:1	
	1	2		John Kine 18/03.2016			

Name: F Jack RIGHT ANGLE PCB MOUNT		Product NO. RENHOTECH-611-0016		REV
SIZE	A	DateTime	2016/3/12	CAD FILE
D/company drawings/BD		SHEET: 1 OF 1		

**Basic Information**

<b>Connector Type</b>	Jack
<b>Fastening Type</b>	3/8-32 Threaded
<b>Mounting Feature</b>	Bulkhead
<b>Mounting Type</b>	Panel Mount
<b>Orientation</b>	Right Angle
<b>RF Series</b>	F Type

**Mechanical Specification**

<b>Contact Retention</b>	20 in-lbs min.
<b>Contact Termination Style</b>	Solder
<b>Mating Durability</b>	≥ 500 Cycles

**Environmental Specification**

<b>Temperature Range</b>	-40°C to +140°C
--------------------------	-----------------

**Material and Finish**

Component Description	Material	Finish
Shell	Copper Alloy	Nickel Plated
Insulator	Polypropylene	
Center Contact	Brass	Tin Plated

**Impedance Testing**

Impedance	75 ohm
-----------	--------

### Frequency & VSWR Test Report

Frequency Range	DC-1GHz
VSWR	R/A type ≤ 1.3MAX, Straight type ≤ 1.2 MAX



### Contact Resistance Test

Contact Type	Female Pin
Center Contact Resistance	≅ 10 MΩ (Milliohms Max.)
Outer Contact Resistance	≅ 5 MΩ (Milliohms Max.)



### Working Voltage & Insulation Resistance Test

Insulation Resistance	≥1000MΩ
-----------------------	---------



### Version History

REV	Date	Revise Contents	Drafter	Approver
A.0	2026.4.13	The initial formulation	Esther	Joson

### Disclaimer

The information in this specification is subject to change without notice. Please confirm the latest version before use. Technical parameters are for reference only, and sufficient testing and verification should be conducted in actual applications.