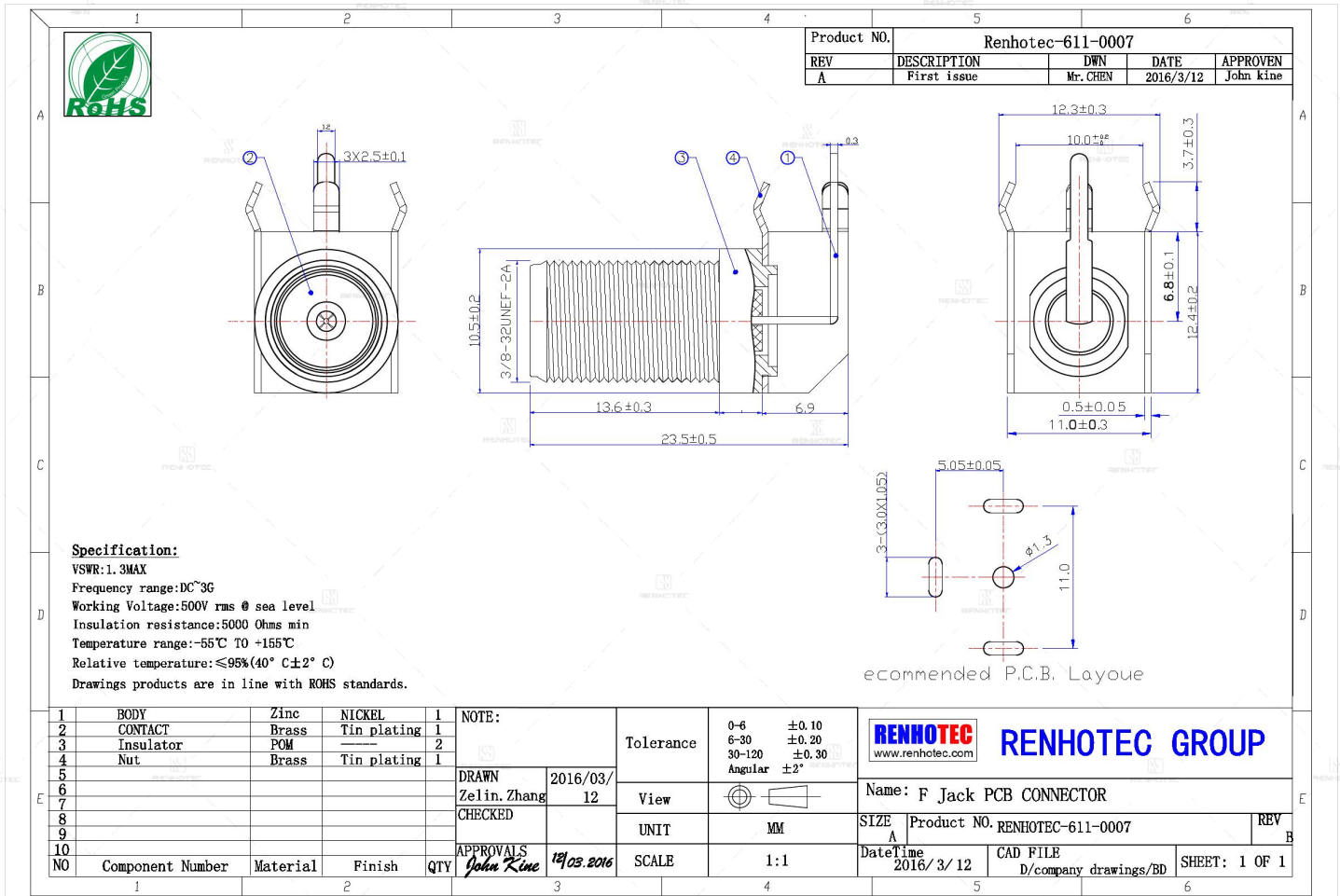


**F Type Connector Female Right Angle Jack Through Hole 75 Ohm - RHT-611-0007**



**Drawing**



**Basic Information**

<b>Connector Type</b>	Jack
<b>Fastening Type</b>	3/8-32 Threaded
<b>Mounting Feature</b>	Through Hole
<b>Mounting Type</b>	Panel Mount
<b>Orientation</b>	Right Angle
<b>RF Series</b>	F Type

**Mechanical Specification**

<b>Contact Retention</b>	20 in-lbs min.
<b>Contact Termination Style</b>	Solder
<b>Mating Durability</b>	≥ 500 Cycles

**Environmental Specification**

<b>Temperature Range</b>	-40°C to +140°C
--------------------------	-----------------

**Material and Finish**

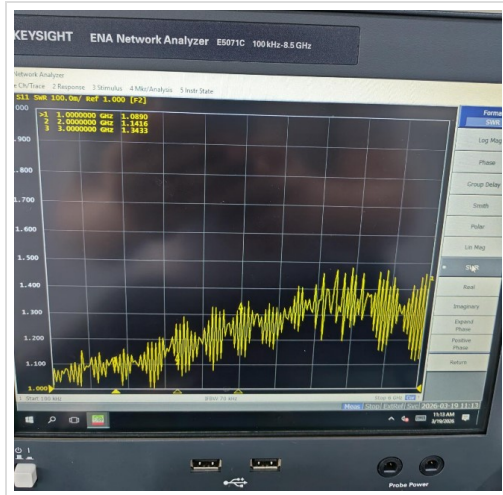
Component Description	Material	Finish
Shell	Zinc Alloy	Nickel Plated
Insulator	POM	
Center Contact	Brass	Tin Plated

**Impedance Testing**

Impedance	75 ohm
-----------	--------

**Frequency & VSWR Test Report**

Frequency Range	DC-1GHz
VSWR	R/A type ≤ 1.3MAX, Straight type ≤ 1.2 MAX



**Contact Resistance Test**

Contact Type	Female Pin
Center Contact Resistance	≅ 10 MΩ (Milliohms Max.)
Outer Contact Resistance	≅ 5 MΩ (Milliohms Max.)



### Working Voltage & Insulation Resistance Test

Working Voltage	500 V rms
Insulation Resistance	≥1000MΩ



### Version History

REV	Date	Revise Contents	Drafter	Approver
A.0	2026.4.13	The initial formulation	Esther	Joson

### Disclaimer

The information in this specification is subject to change without notice. Please confirm the latest version before use. Technical parameters are for reference only, and sufficient testing and verification should be conducted in actual applications.