
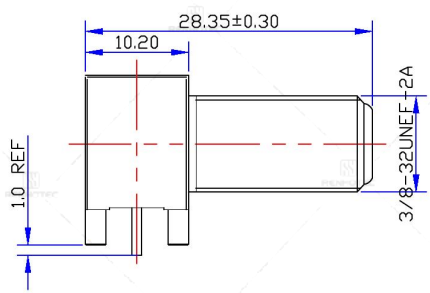
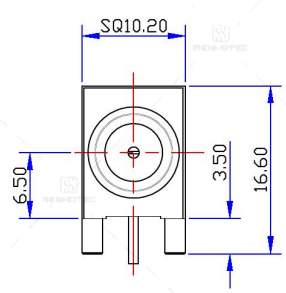
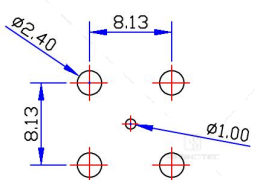
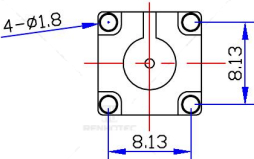
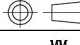


F Type Connector Right Angle Jack Panel Mount Through Hole - RHT-611-0002



Drawing

1	2	3	4	5	6
				Product NO. Renhotec-611-0002 REV DESCRIPTION DWN DATE APPROVEN A First issue Mr. CHEN 2016/3/12 John Kine	
					
					
<p>SPECIFICATIONS: Impedance: 75 Ohms Frequency Range: DC~3G VSWR: 30dB Return loss @ 1GHZ Working Voltage: 15 watts continuous Insulation Resistance: 5000 Ohms min Temperature Range: -40°C TO +60°C Drawings products are in line with ROHS standards</p>					
1 Body NINC NI: 80-120u" 2 Insulator PP White 3 Center contact Phosphor SN		NOTE: DRAWN 2016/03/12 Zelin. Zhang CHECKED APPROVALS John Kine 12/03.2016		Tolerance 0-6 ±0.10 6-30 ±0.20 30-120 ±0.30 Angular ±2° View  UNIT MM SCALE 1:1	
Component Number Material Finish		Name: F Jack Right angle PCB Mount SIZE A Product NO. RENHOTECH-611-0002 Date Time 2016/3/12 CAD FILE D/company drawings/BD SHEET: 1 OF 1		REV	

Basic Information

Connector Type	Jack
Fastening Type	3/8-32 Threaded
Mounting Feature	Through Hole
Mounting Type	Panel Mount
Orientation	Right Angle
RF Series	F Type

Mechanical Specification

Contact Retention	20 in-lbs min.
Contact Termination Style	Solder
Mating Durability	≥ 500 Cycles

Environmental Specification

Temperature Range	-40°C to +140°C
--------------------------	-----------------

Material and Finish

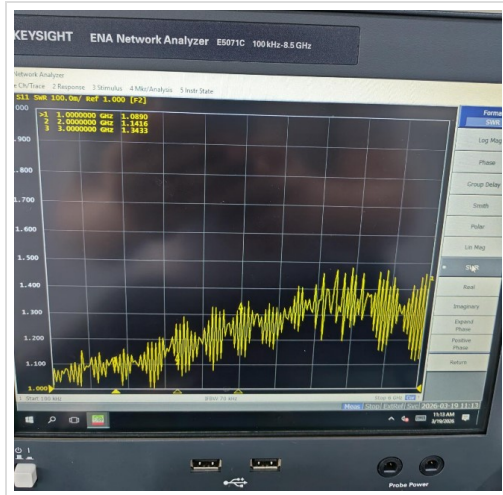
Component Description	Material	Finish
Shell	Zinc Alloy	Nickel Plated
Insulator	Polypropylene	
Center Contact	Brass	Tin Plated

Impedance Testing

Impedance	75 ohm
-----------	--------

Frequency & VSWR Test Report

Frequency Range	DC-1GHz
VSWR	R/A type ≤ 1.3MAX, Straight type ≤ 1.2 MAX



Contact Resistance Test

Contact Type	Female Pin
Center Contact Resistance	≅ 10 MΩ (Milliohms Max.)
Outer Contact Resistance	≅ 5 MΩ (Milliohms Max.)



Working Voltage & Insulation Resistance Test

Insulation Resistance	≥1000MΩ
-----------------------	---------



Version History

REV	Date	Revise Contents	Drafter	Approver
A.0	2026.4.13	The initial formulation	Esther	Joson

Disclaimer

The information in this specification is subject to change without notice. Please confirm the latest version before use. Technical parameters are for reference only, and sufficient testing and verification should be conducted in actual applications.