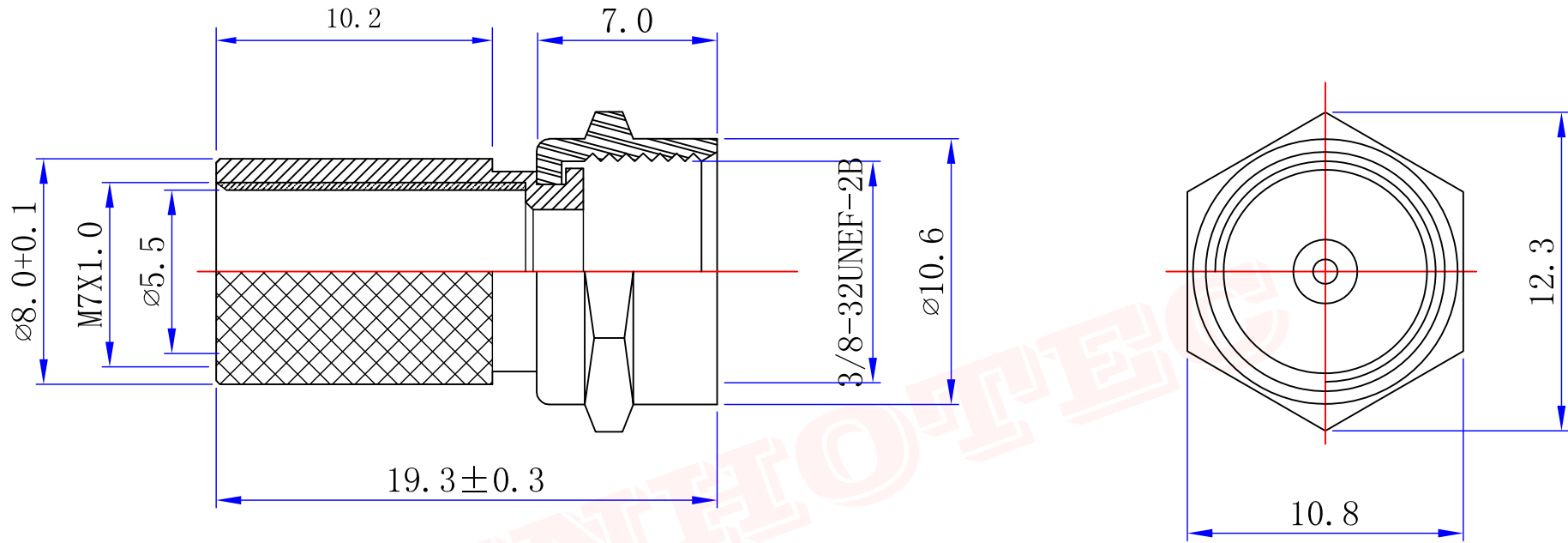




Product NO.		RHT-611-0512		
REV	DESCRIPTION	DWN	DATE	APPROVEN
A	First issue	Gavin	2018/08/27	JIM. KING



1	BODY	BRASS	NICKEL	1
NO	DESCRIPTION	MATERIAL	FINISH	QTY

-TOLERANCES- UNLESS OTHERWISE SPECIFIED  UNLESS OTHERWISE SPECIFIED TOLERANCES FOR MILLIMETERS ARE: 0.5 - 8mm ± 0.10mm 8 - 30mm ± 0.15mm 30 - 120mm ± 0.20mm	<b>RENHOTEC GROUP</b> <a href="http://www.renhotec.com">www.renhotec.com</a>		PART DESCRIPTION: F PLUG PLUG FOR RG59 CABLE				
	Appd: JIM. KING Check: Draw: Gavin		P/N: RHT-611-0512	Date 2018. 08. 27	Scale Free	Unit MM	Type Z