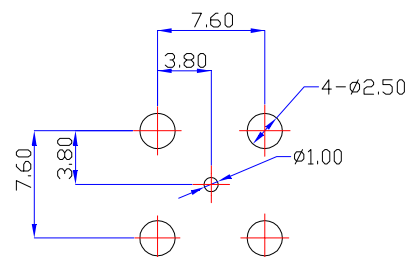
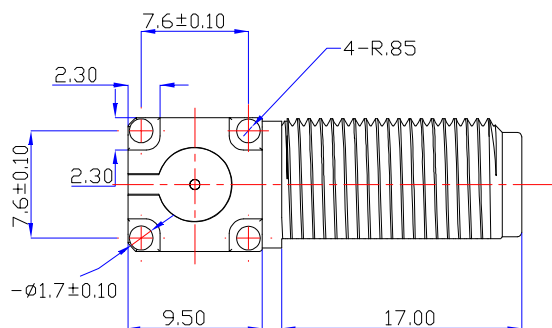
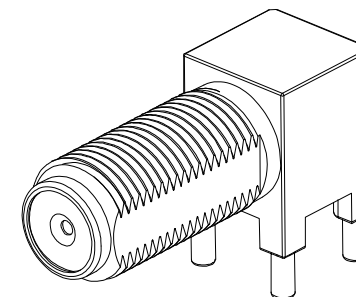
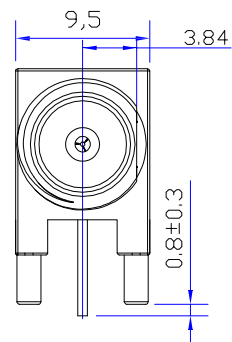
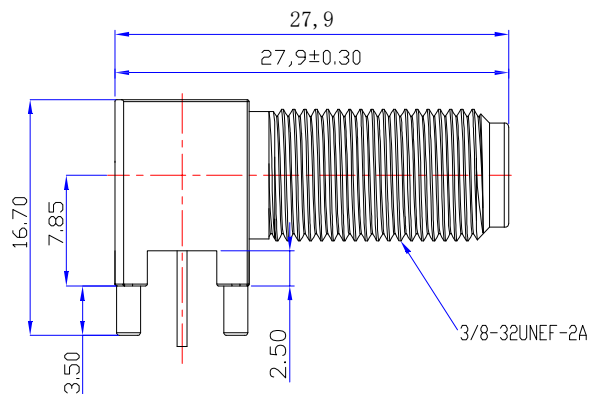
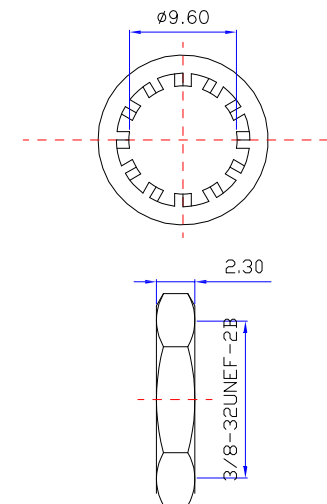




Product NO.		RHT-611-0504		
REV	DESCRIPTION	DWN	DATE	APPROVEN
A	First issue	Gavin	2018/03/21	JIM. KING



RECOMMENDED PCB LAYOUT  
TOLERANCE : ±0.05mm



Specifications:  
 IMPEDANCE: 75 Ohms  
 Frequency range: 0~3GHZ  
 VSWR: 30db Return loss @ 1GHZ  
 Working voltage: 15 watts @ continuous  
 Insulation resistance: 5000 Ohms min  
 Temperature range: -55°C TO +155°C  
 Relative temperature: ≤95% (40° C ± 2° C)

5	Nut	BRASS	NI: 80-120u"	1
4	Casket	Iron	NI: 80-120u"	1
3	Center contact	Phosphor	SN	1
2	INSULATOR	PP	WHITE	1
1	BOOY	Zinc	NI: 80-120u"	1
NO	DESCRIPTION	MATERIAL	FINISH	QTY

-TOLERANCES- UNLESS OTHERWISE SPECIFIED	<b>RENHOTEC GROUP</b>					
	PART DESCRIPTION: F JACK Right Angle PCB Mount					
UNLESS OTHERWISE SPECIFIED TOLERANCES FOR MILLIMETERS ARE: 0.5 - 8mm ± 0.10mm 8 - 30mm ± 0.15mm 30 - 120mm ± 0.20mm	Appd: JIM. KING	P/N: RHT-611-0504				
	Check:	Date	Scale	Unit	Type	Page
Draw: Gavin	2018.03.21	Free	MM	Z	1/1	