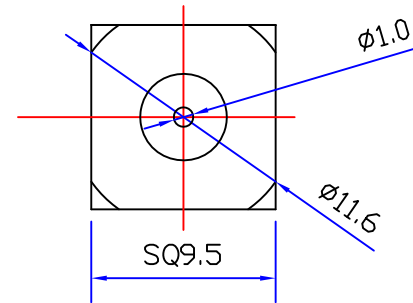
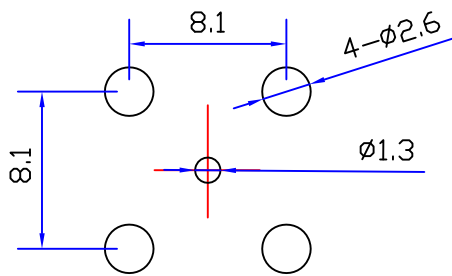
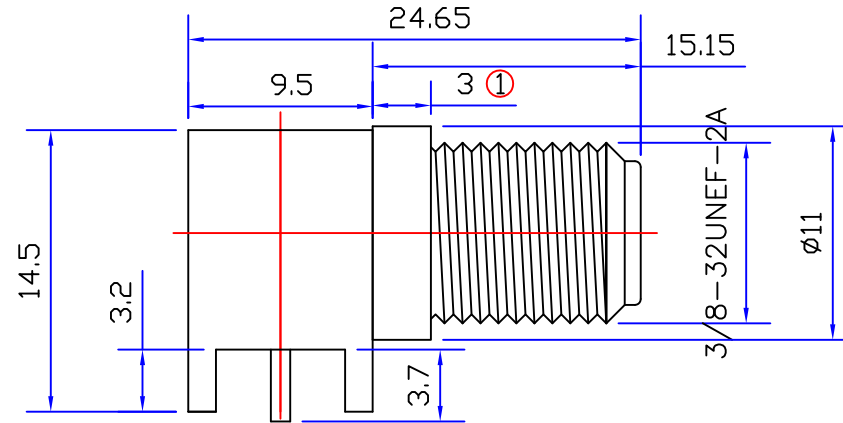
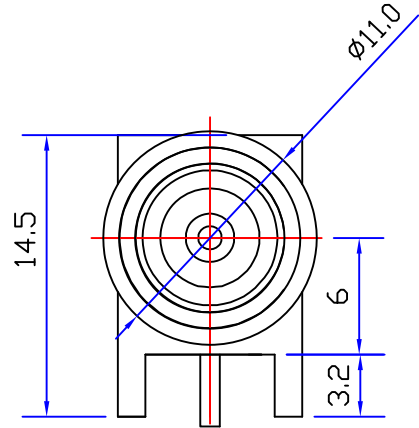




Product NO.		RHT-611-0314			
REV	DESCRIPTION	DWN	DATE	APPROVEN	
A	First issue	SAM	2017/06/30	JIM. KING	
B	①	SAM	2017/07/03	JIM. KING	



1	Body	Brass	NICKEL
2	Insulation	PP	
3	PIN	Brass	TIN
NO	Component Number	Material	Finish

-TOLERANCES- UNLESS OTHERWISE SPECIFIED		<b>RENHOTEC GROUP</b> <a href="http://www.renhotec.com">www.renhotec.com</a>				
		Title: F R/A JACK FOR PCB COANNECTOR P/N: RHT-611-0314				
0. ±.15	0° ±3.0°	Appd:	Date			
0.0 ±.10	0.0° ±2.5°	Check:	Scale	Unit	Type	Page
0.00 ±.05	0.00° ±2.0°	Draw:	2017.06.30	Free	MM	Z 1/1