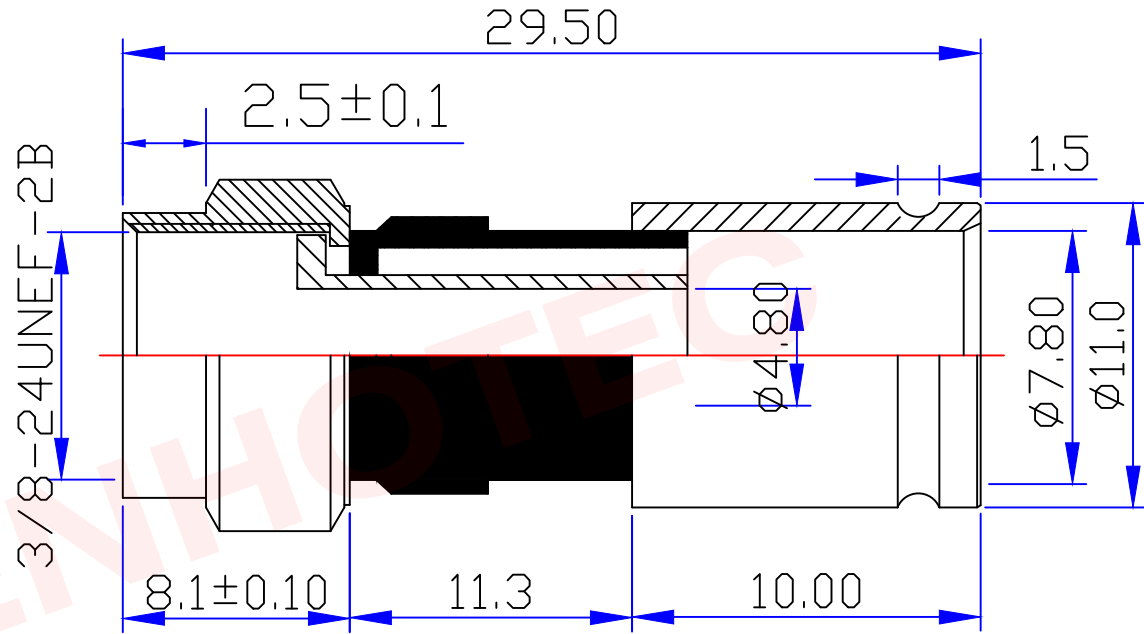
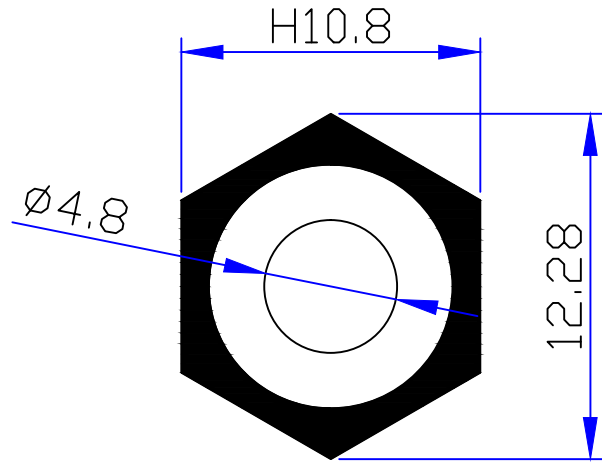




Product NO.	RHT-611-0087			
REV	DESCRIPTION	DWN	DATE	APPROVEN
A	First issue	Mr.chen	2016/9/20	John kine



1	Body	Brass	NICKEL
2	Insulation	ABS	BLACK
3			
4			
5			
6			
7			
8			
9			
10			
NO	Component Number	Material	Finish

NOTE:		Tolerance	0-6	±0.10
			6-30	±0.20
		View	30-120	±0.30
			Angular	±2°
DRAWN	2016/09/20	UNIT		
Zelin.CHEN			MM	
CHECKED		SCALE	1:1	
APPROVALS	20/09.2016			
John				
Kine				



RENHOTEC GROUP

Name: F PLUG FOR RG6 CABLE		REV A
SIZE A	Product NO. RHT-611-0087	
DateTime 2016/9/20	CAD FILE D/company drawings/BD	SHEET: 1 OF 1