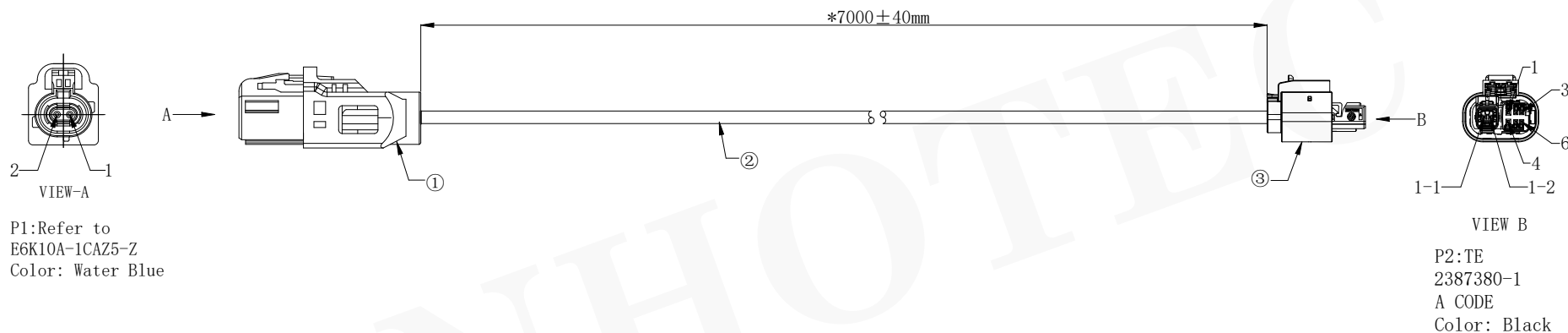




REV	DESCRIPTION	DWN	DATE	APPROVEN
R1.0	First issue	Gavin	2025/02/20	JIM.KING



P1:Refer to
E6K10A-1CAZ5-Z
Color: Water Blue

P2:TE
2387380-1
A CODE
Color: Black

*Wiring Table

P1:E6K10A-1CAZ5-Z	Wire Color	P2:2387380-1	Cable
1	White	1-1	GG 2Speed® 251
2	Green	1-2	
Shell	Shield	Shell	

3	Connector P2	2387380-1; A Code,Color: Black	1PCS
2	Cable	GG 2Speed® 251; Jacket:PVC, OD:REF4.0mm	1PCS
1	Connector P1	E6K10A-1CAZ5-Z; Z Code, Color: Water Blue	1PCS
NO	PartName	Specifications	Q' ty

-TOLERANCES- UNLESS OTHERWISE SPECIFIED	RENHOTEC GROUP	
	PART DESCRIPTION: E6K10A-1CAZ5-Z TO 2387380-1 FOR CABLE	
UNLESS OTHERWISE SPECIFIED TOLERANCES FOR MILLIMETERS ARE: 0.5 - 8mm ± 0.20mm 8 - 30mm ± 0.25mm 30 -120mm ± 0.30mm	Appr: JIM.KING	P/N: RHT-605-9791
	Check:	Date: 2025.02.20
	Draw: Gavin	Scale: Free
	Unit: MM	Type: Z
	Page: 1/1	