



M5 Male Straight Socket Solder Cup Cable Back Fastened Connector

Part Number:



Basic Information

Connector Type	Socket
Contact Termination	Solder
Contact Type	Male Pin
Fastening Type	Threaded
Key	A
Mounting Feature	Back Fastened
Number of Positions	3 Pin, 4 Pin
Orientation	Straight
Shell Size	M5

Material Specification

Contact Finish	Gold Plating
Contact Material	Copper Alloy
Insulation Material	PA66
Shell Finish	Zinc Plating
Shell Material	Copper Alloy

Electrical Specification

Rated Current	4A
Rated Voltage	60V
Shielding	Unshielded

Environmental Specification

Ingress Protection	IP67
Operating Temperature	-25°C ~ + 85°C

Mechanical Specification

Mechanical Operation	>500 Mating Cycles
----------------------	--------------------

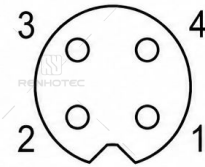
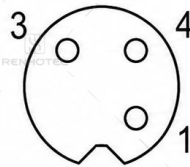
Contact Layout

Number of positions

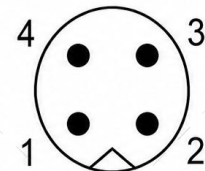
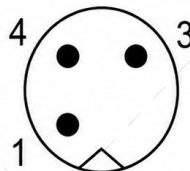
3

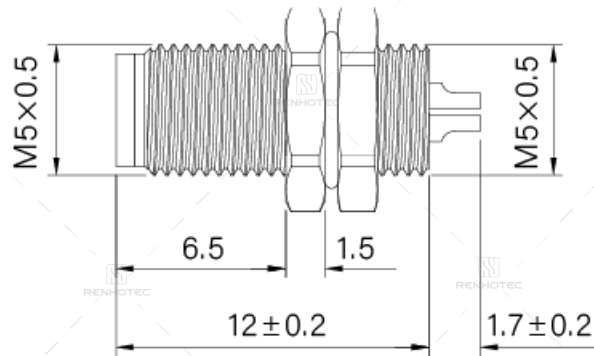
4

Insert arrangement
(Female)



Insert arrangement
(Male)



Size**Disclaimer**

The information in this specification is subject to change without notice. Please confirm the latest version before use. Technical parameters are for reference only, and sufficient testing and verification should be conducted in actual applications.