



## M23 Female Straight Signal Solder Cable Flange Mount Connector

Part Number:



### Basic Information

Connector Type	Socket
Contact Orientation	Clockwise, Counterclockwise
Contact Termination	Solder Cup
Contact Type	Female Pin
Fastening Type	Threaded
Mounting Feature	4 Hole Flange
Mounting Type	Panel Mount
Number of Positions	12 Pin, 17 Pin, 19 Pin, 6 Pin, 7 Pin, 9 Pin
Orientation	Straight
Shell Size	M23

### Material Specification

Contact Finish	Gold Plating
Contact Material	Copper Alloy
Insulation Material	PA66
Shell Finish	Zinc Plating
Shell Material	Copper Alloy

## Electrical Specification

Shielding	Unshielded
-----------	------------

## Environmental Specification

Ingress Protection	IP67
Operating Temperature	-25°C ~ + 85°C

## Mechanical Specification

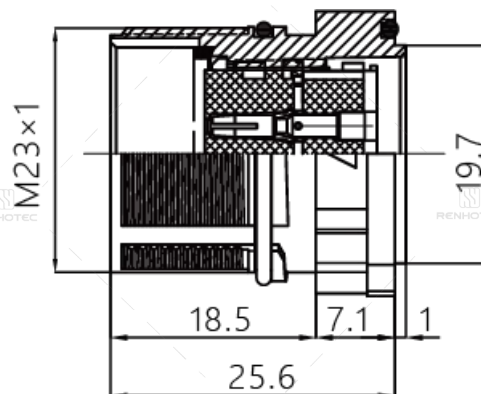
Mechanical Operation	>500 Mating Cycles
----------------------	--------------------

## Contact Layout

### Specification

Number of positions	6	7	9	12	17	19
Female E layout						
Male E layout						
Female P layout						
Male P layout						

## Size



### Disclaimer

---

The information in this specification is subject to change without notice. Please confirm the latest version before use. Technical parameters are for reference only, and sufficient testing and verification should be conducted in actual applications.