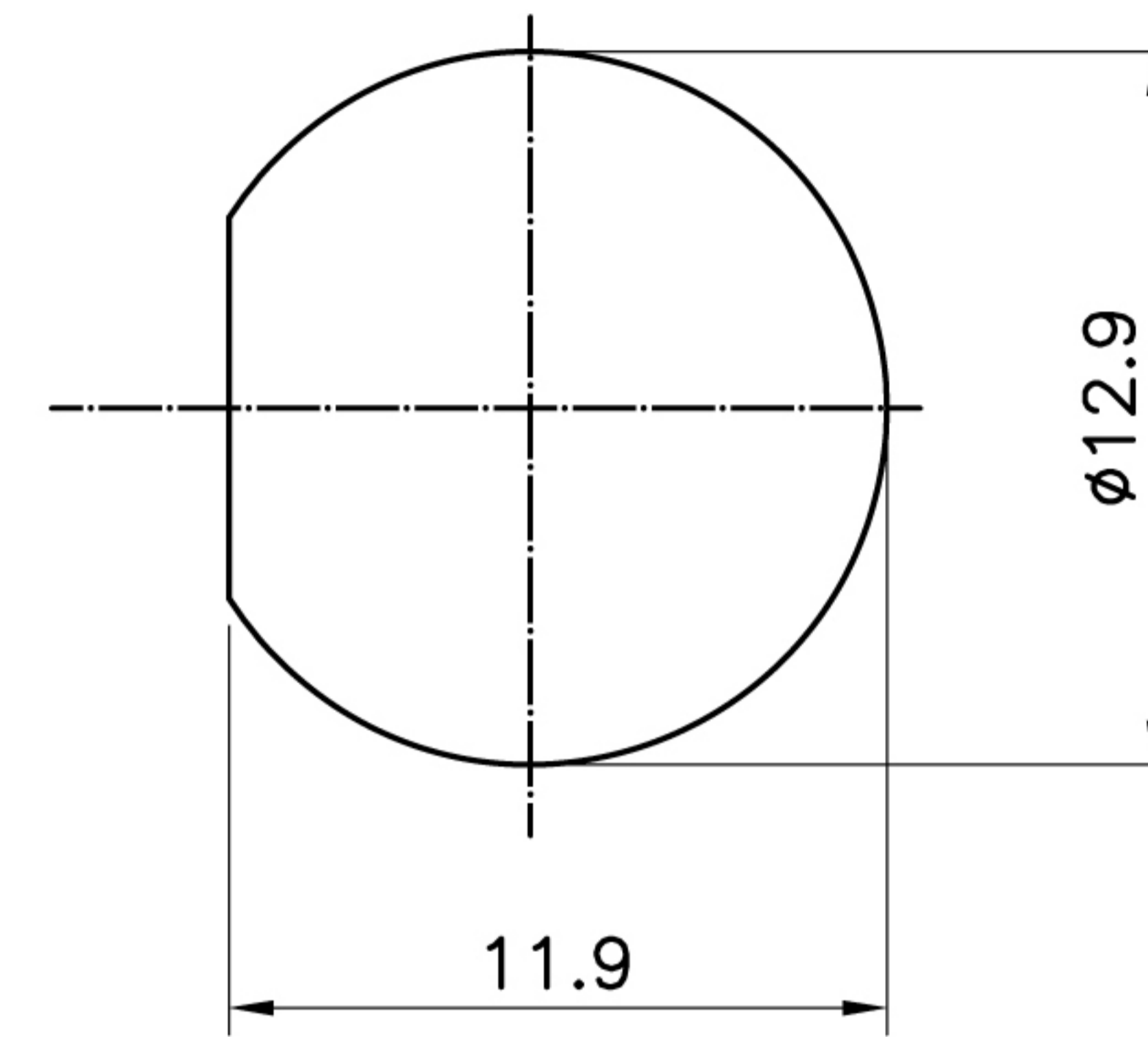
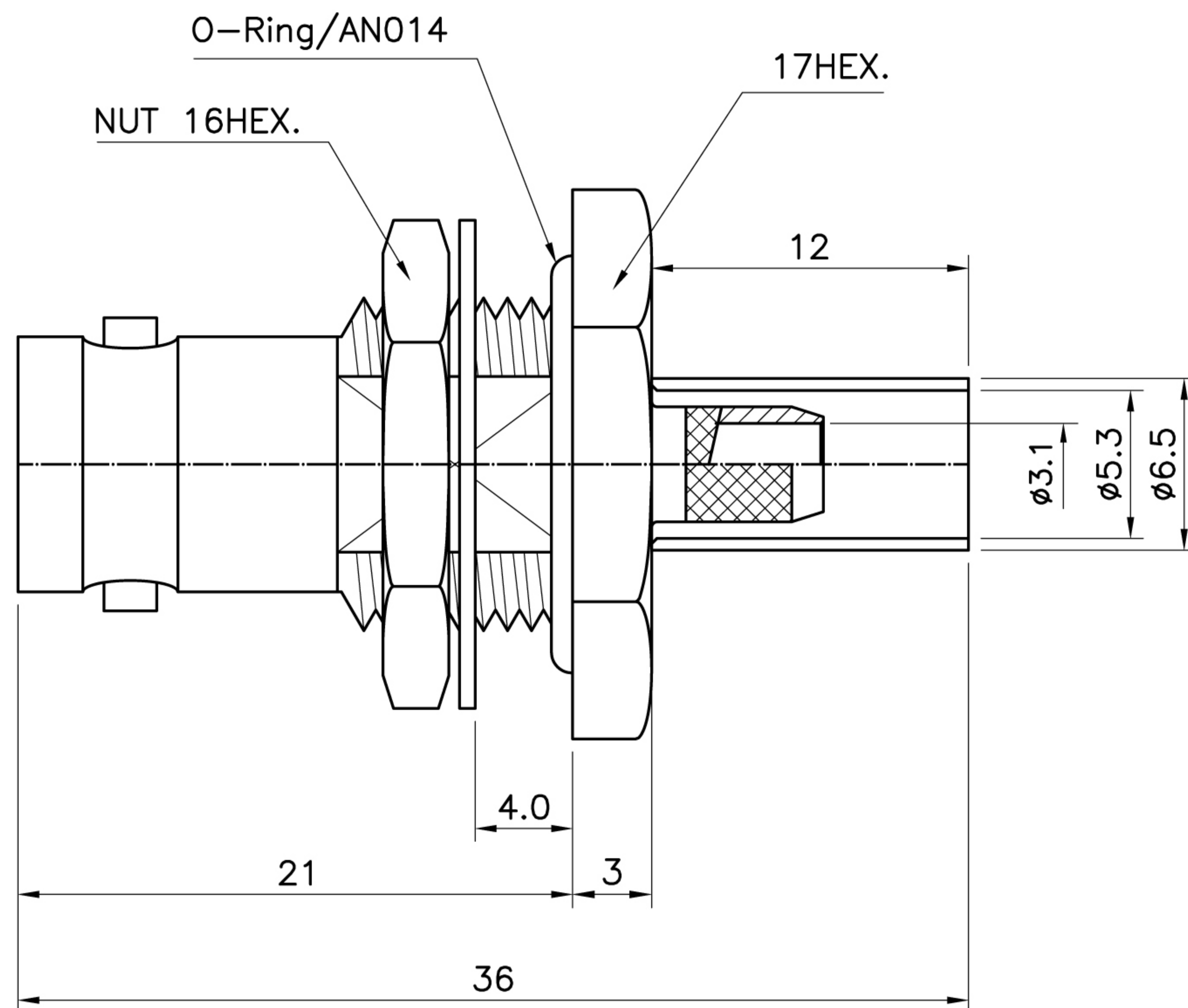




Product NO.	Renhotec-610-0221			
REV	DESCRIPTION	DWN	DATE	APPROVEN
A	First issue	Mr. Wang	2017/2/23	John kine



MOUNTING HOLES

Item	Materials	Plating
Body	Brass	Nickel Plated
Center contact	Be-Cu	Gold Plated
Ferrule	Brass	Nickel Plated
Insulator	PTFE	-
O-Ring	Silicone rubber	-

NOTE:		Tolerance	0-6 ±0.10 6-30 ±0.20 30-120 ±0.30 Angular ±2°
DRAWN	Zelin. Zhang	2017/2/23	View
CHECKED			UNIT
APPROVALS	John Kine	2017/2/23	SCALE



RENHOTEC GROUP

Name: Waterproof BNC Jack W/H for Cable RG58

SIZE	Product NO.	RHT-610-0221	REV	A
DateTime	2017/2/23	CAD FILE	D/company drawings/BD	
SHEET: 1 OF 1				