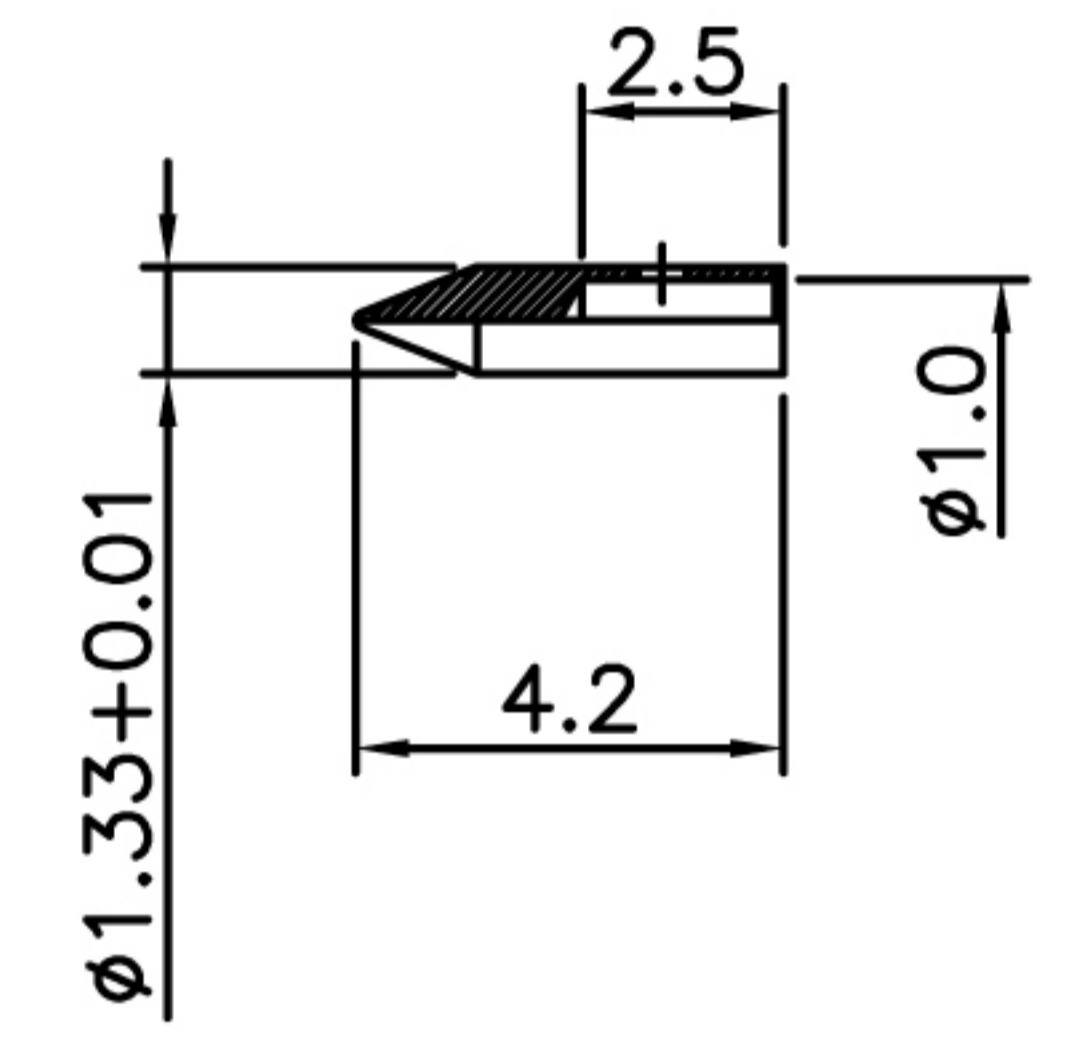
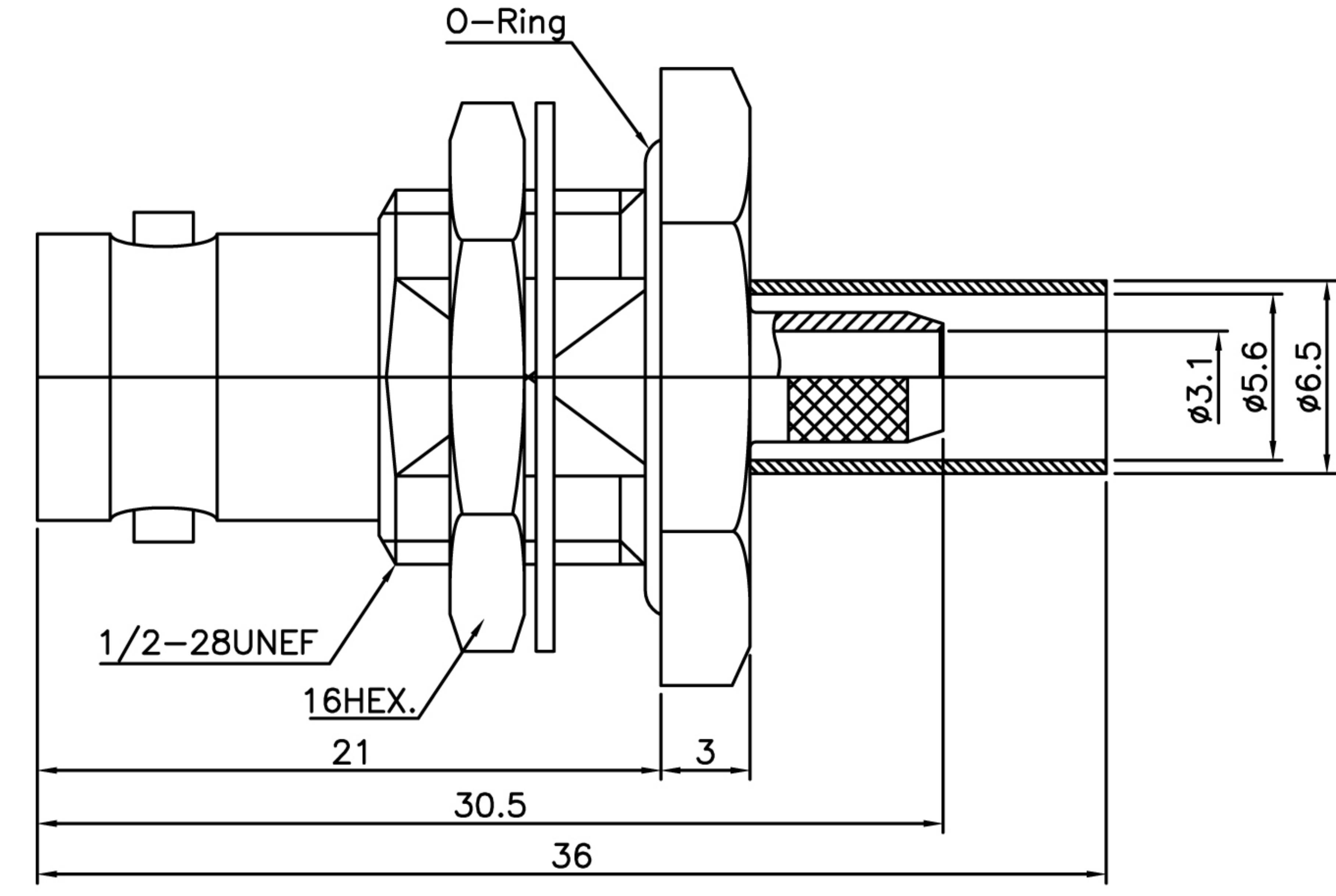
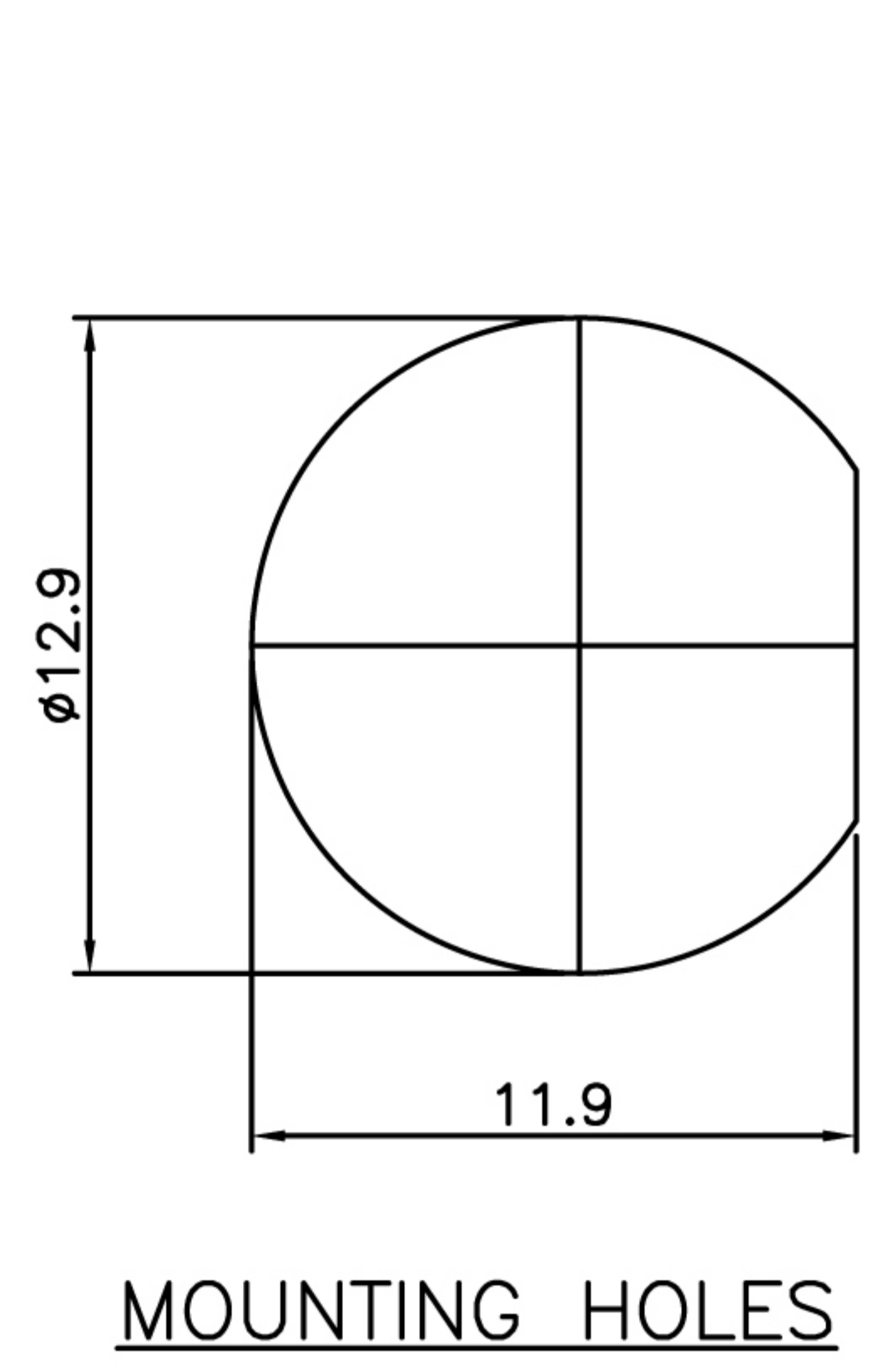




Product NO.	Renhotec-610-0220			
REV	DESCRIPTION	DWN	DATE	APPROVEN
A	First issue	Mr. Wang	2017/2/23	John kine



Item	Materials	Plating
Body	Brass	Nickel Plated
Center contact	Be-Cu	Gold Plated
Ferrule	Brass	Nickel Plated
Insulator	PTFE	-
O-Ring	Silicone rubber	-

NOTE:		Tolerance	0-6 ±0.10 6-30 ±0.20 30-120 ±0.30 Angular ±2°
DRAWN	Zelin. Zhang 2017/2/23	View	
CHECKED		UNIT	MM
APPROVALS	John Kine 2017/2/23	SCALE	1:1



**RENHOTEC GROUP**

Name: Waterproof BNC Jack W/H for Cable RG400			
SIZE	Product NO.	RHT-610-0220	REV
A			B
DateTime	CAD FILE	SHEET: 1 OF 1	
2017/2/23	D/company drawings/BD		