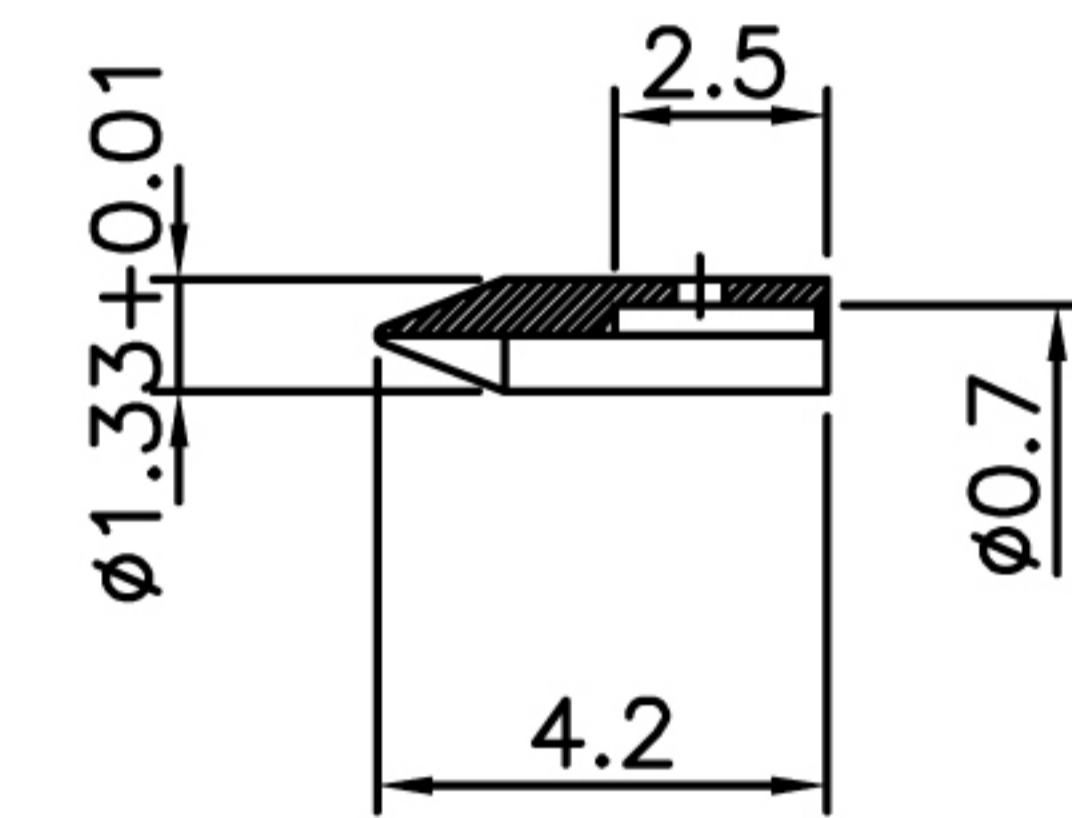
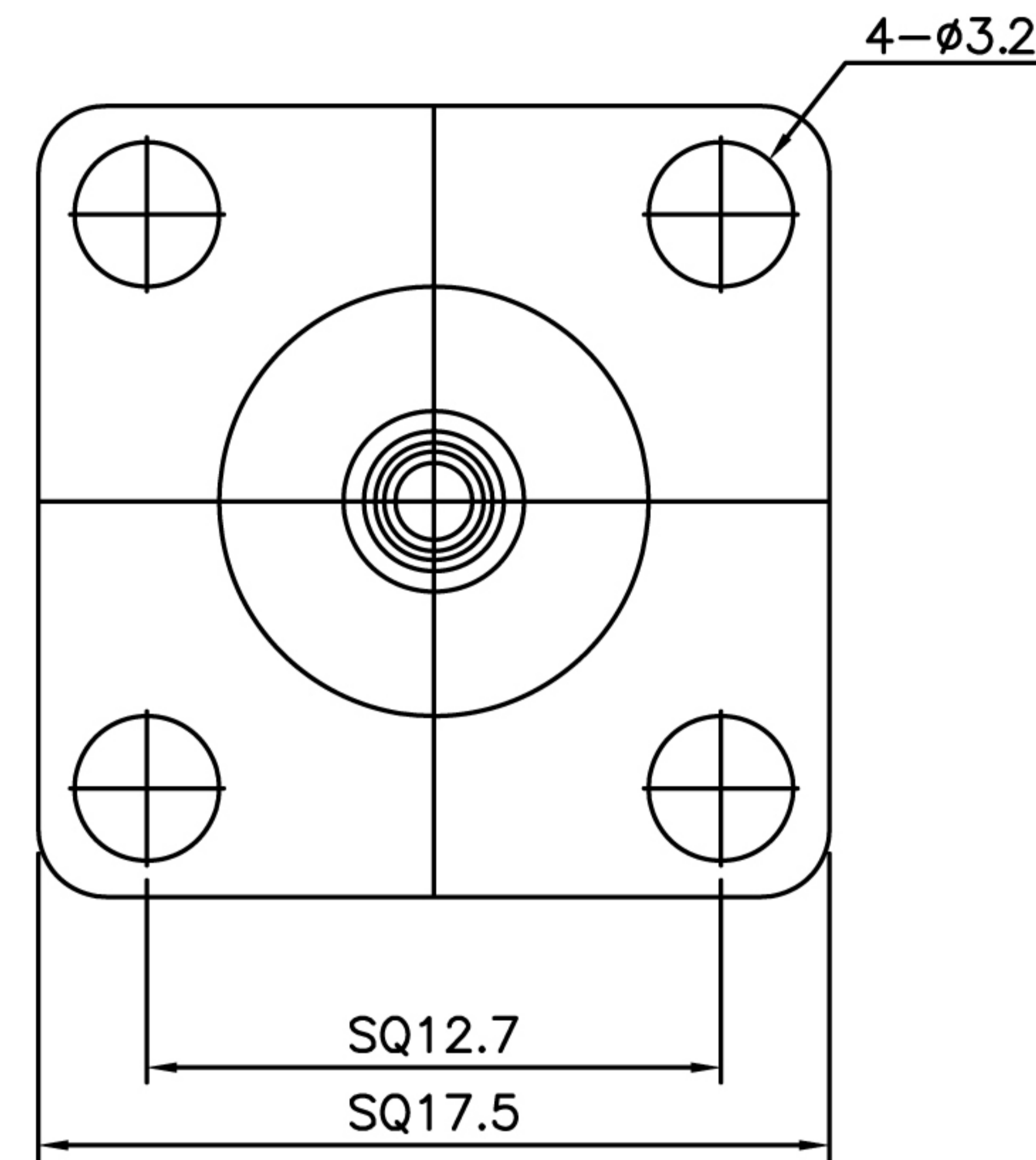
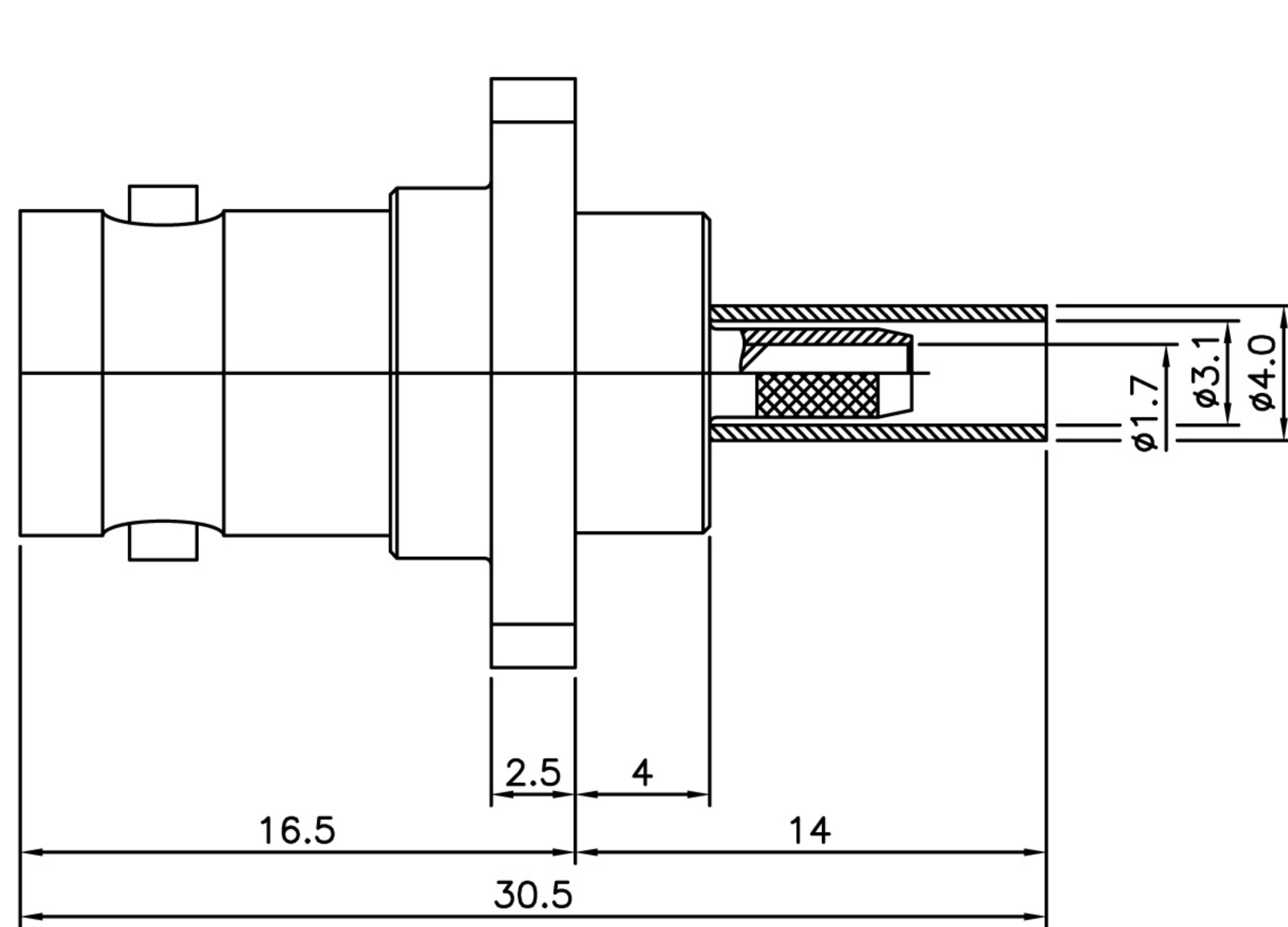




Product NO.	Renhotec-610-0219			
REV	DESCRIPTION	DWN	DATE	APPROVEN
A	First issue	Mr. Wang	2017/2/22	John kine



Item	Materials	Plating
Body	Brass	Nickel Plated
Center contact	Be-Cu	Gold Plated
Insert pin	Brass	Gold Plated
Insulator	PTFE	-

NOTE:		Tolerance	0-6 ±0.10
			6-30 ±0.20
			30-120 ±0.30
			Angular ±2°
DRAWN		View	
Zelin. Zhang	2017/2/22		
CHECKED		UNIT	MM
APPROVALS		SCALE	1:1
John Kine	2017/2/22		



RENHOTEC GROUP

Name: BNC-Panel 4 Holes Jack for Cable RG316

SIZE A Product NO. RHT-610-0219 REV B

DateTime 2017/2/22 CAD FILE D/company drawings/BD SHEET: 1 OF 1