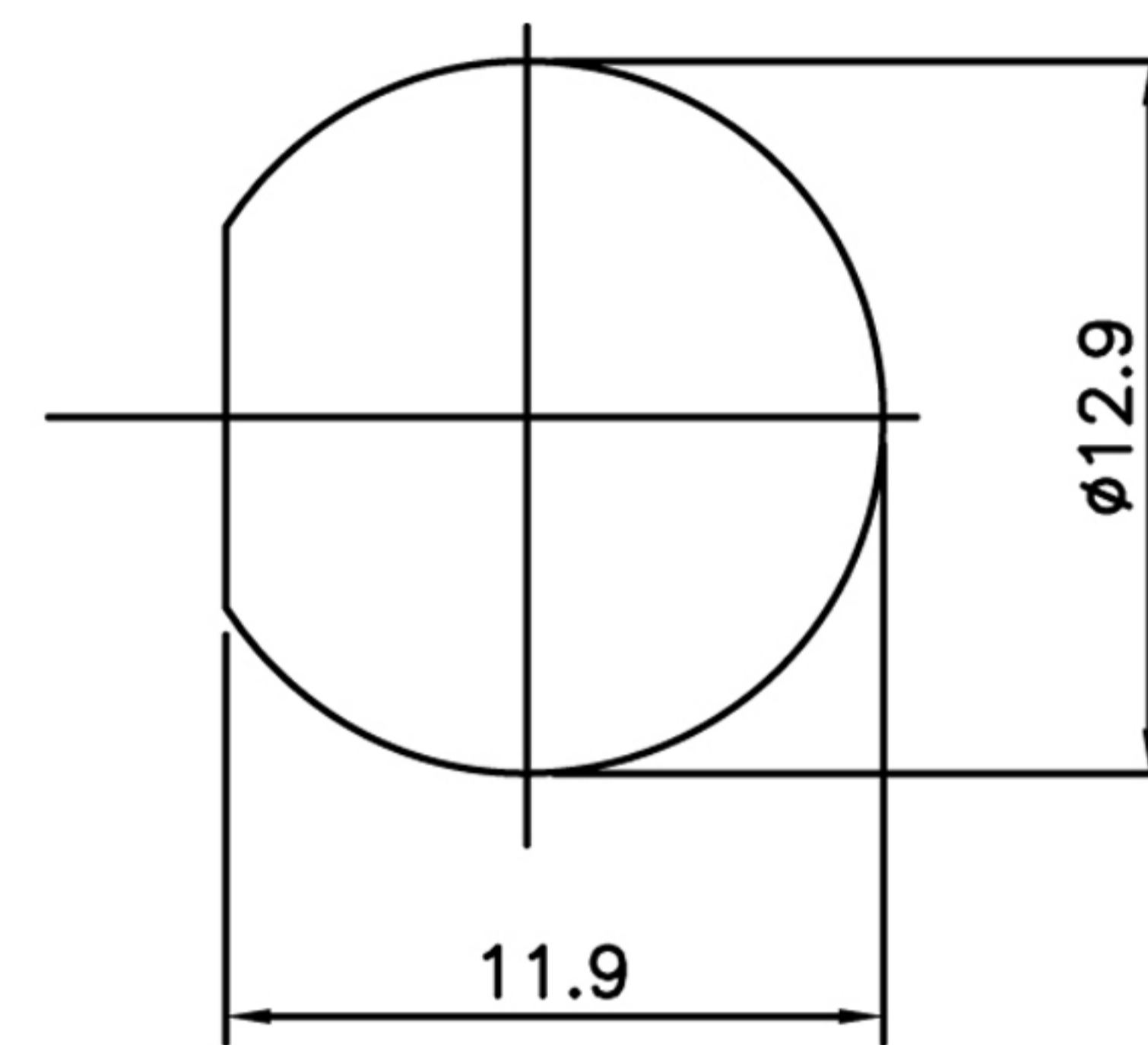
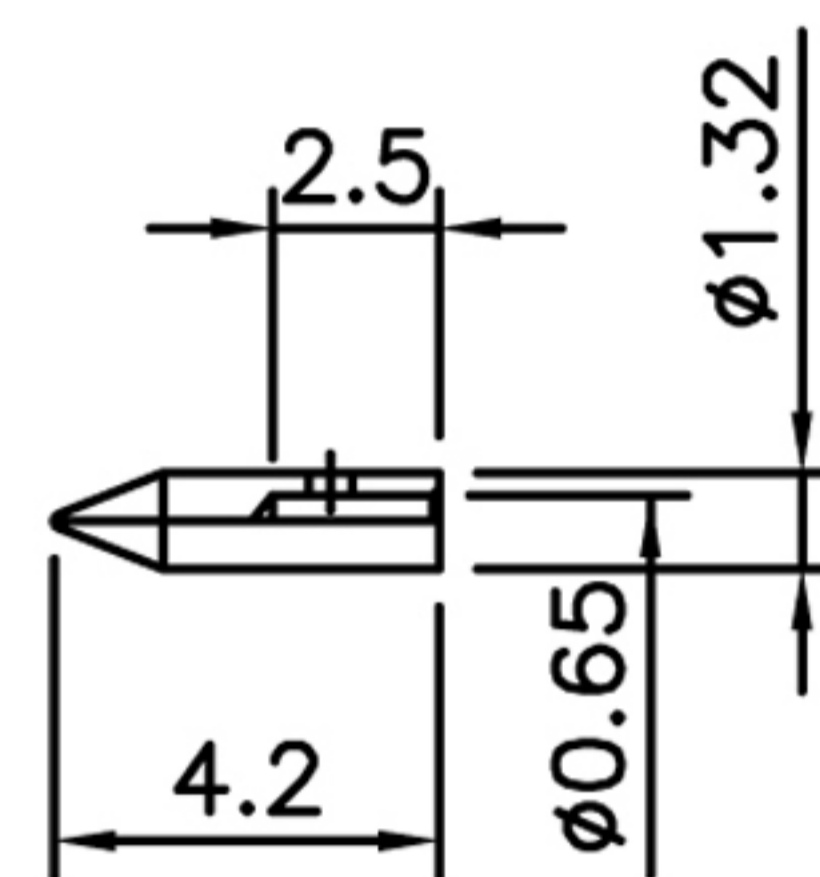
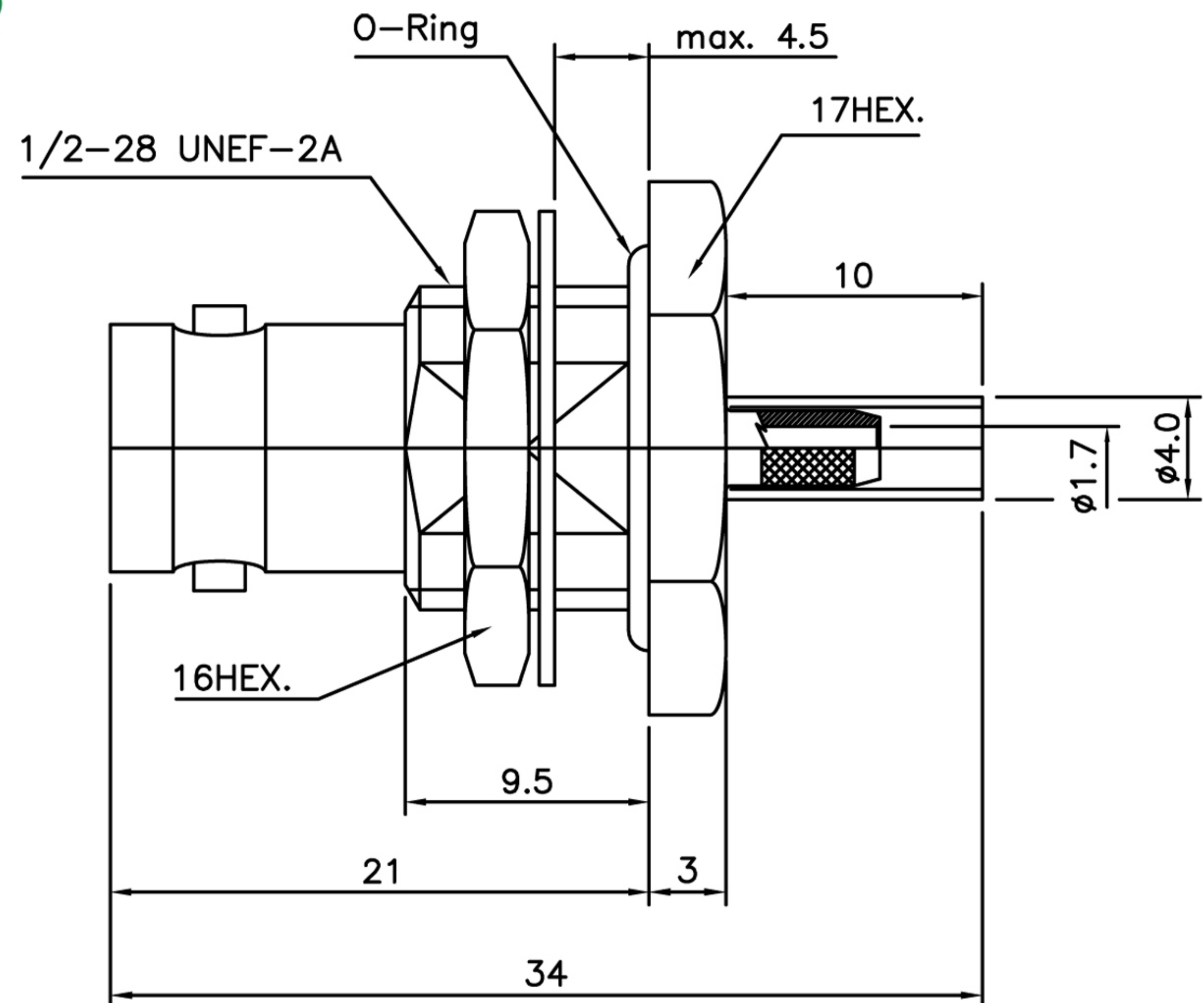




Product NO.	Renhotec-610-0217			
REV	DESCRIPTION	DWN	DATE	APPROVEN
A	First issue	Mr. Wang	2017/2/22	John kine



MOUNTING HOLES

Item	Materials	Plating
Body,Nut ,Washer	Brass	Nickel Plated
Center contact	Be-Cu	Gold Plated
Ferrule	Brass	Nickel Plated
Insulator	PTFE	—
O-Ring	Silicone rubber	—

NOTE:		Tolerance	0-6	±0.10
DRAWN Zelin. Zhang 2017/2/22			6-30	±0.20
CHECKED		View	30-120	±0.30
APPROVALS <i>John Kine</i> 2017/2/22			Angular	±2°
		UNIT	MM	
		SCALE	1:1	



RENHOTEC GROUP

Name: Waterproof BNC Jack for Cable RG316

SIZE A	Product NO. RHT-610-0217	REV B
DateTime 2017/2/22	CAD FILE D/company drawings/BD	SHEET: 1 OF 1