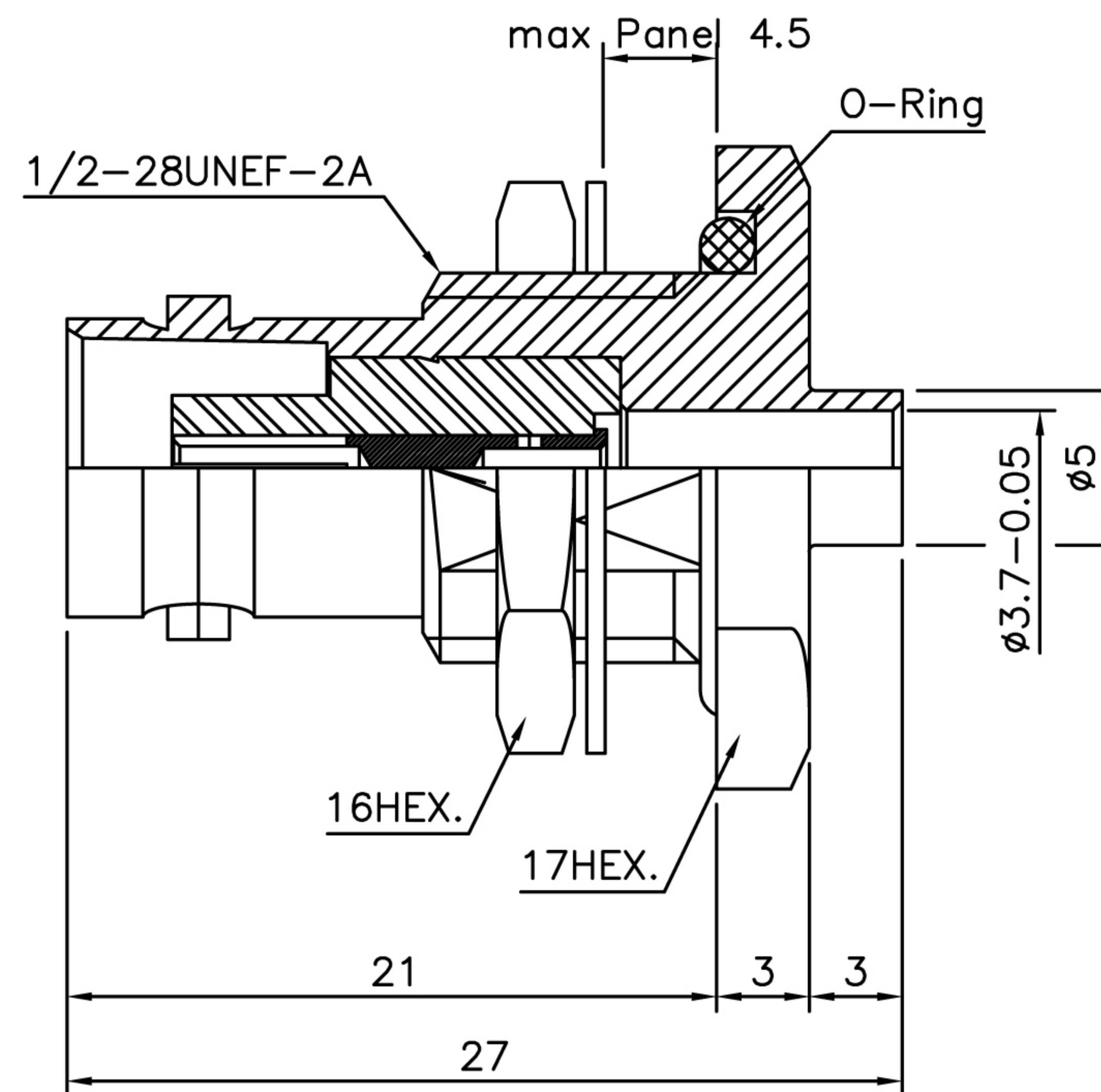
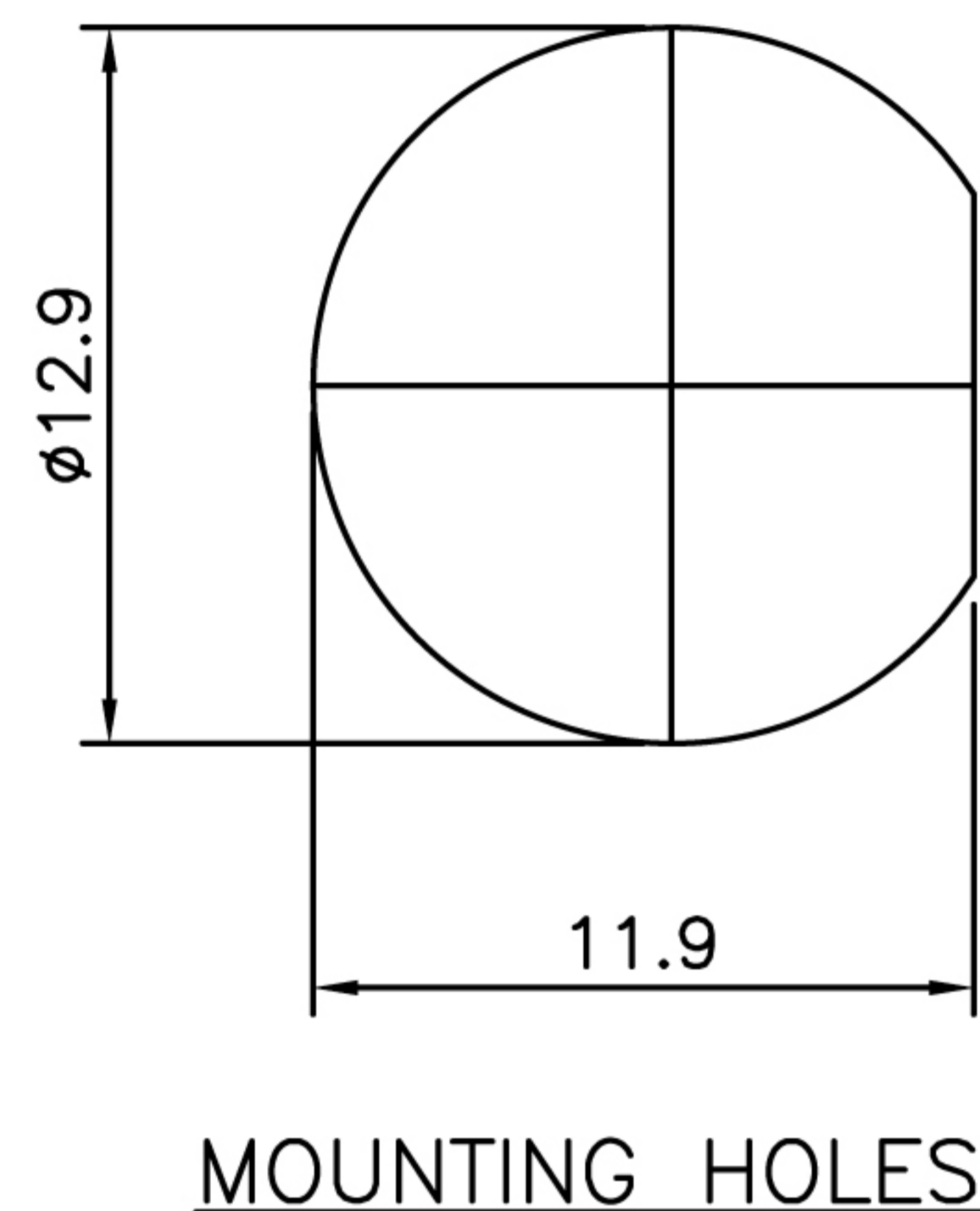




Product NO.	Renhotec-610-0216			
REV	DESCRIPTION	DWN	DATE	APPROVEN
A	First issue	Mr. Wang	2017/2/22	John kine



Item	Materials	Plating
Body,Nut,Washer	Brass	Nickel Plated
Center contact	Be-Cu	Gold Plated
Insulator	PTFE	-
O-Ring	Silicone rubber	-

NOTE:		Tolerance	0-6	± 0.10
DRAWN Zelin. Zhang 2017/2/22			6-30	± 0.20
CHECKED		View	30-120	± 0.30
APPROVALS John Kine 2017/2/22			Angular	$\pm 2^\circ$
		UNIT	MM	
		SCALE	1:1	



RENHOTEC GROUP

Name: Waterproof BNC Jack for Cable UT141

SIZE A	Product NO. RHT-610-0216	REV B
DateTime 2017/2/22	CAD FILE D/company drawings/BD	SHEET: 1 OF 1