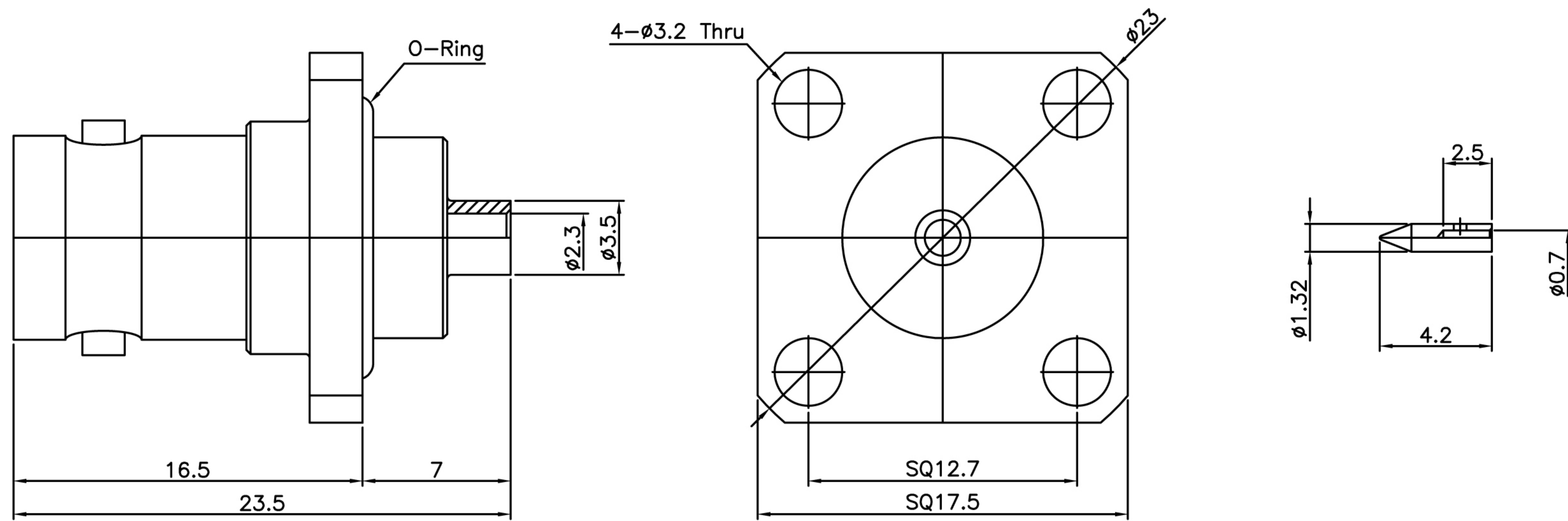




Product NO.	Renhotec-610-0215			
REV	DESCRIPTION	DWN	DATE	APPROVEN
A	First issue	Mr. Wang	2017/2/22	John kine



Item	Materials	Plating
Body	Brass	Nickel Plated
Center contact	Be-Cu	Gold Plated
insert pin	Brass	Gold Plated
Insulator	PTFE	-
O-Ring	Silicone rubber	-

NOTE:		Tolerance	0-6	±0.10
DRAWN Zelin. Zhang			6-30	±0.20
2017/2/22		View	30-120	±0.30
CHECKED			Angular	±2°
APPROVALS <i>John Kine</i>		UNIT	MM	
2017/2/22		SCALE	1:1	



RENHOTEC GROUP

Name: Waterproof 4 Holes Panel BNC Jack for Cable UT085			
SIZE A	Product NO. RHT-610-0215	REV B	
DateTime 2017/2/22	CAD FILE D/company drawings/BD	SHEET: 1 OF 1	