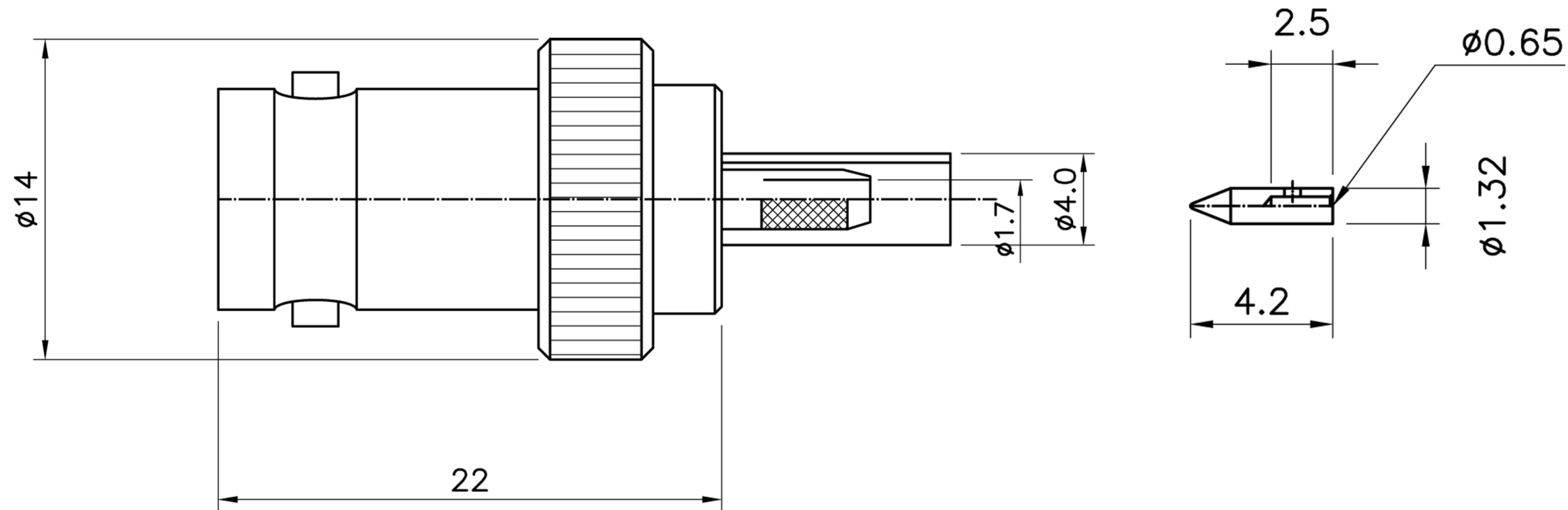




Product NO.	Renhotec-610-0208			
REV	DESCRIPTION	DWN	DATE	APPROVEN
A	First issue	Mr. Wang	2017/2/22	John kine



Item	Materials	Plating
Body	Brass	Nickel Plated
Center contact	Be-Cu	Gold Plated
Insert pin	Brass	Gold Plated
Ferrule	Brass	Nickel Plated
Insulator	PTFE	-

NOTE :		Tolerance	0-6	± 0.10
DRAWN Zelin. Zhang			6-30	± 0.20
2017/2/22		View	30-120	± 0.30
CHECKED			Angular	$\pm 2^\circ$
APPROVALS <i>John Kine</i>		UNIT	MM	
2017/2/22		SCALE	1:1	



RENHOTEC GROUP

Name: BNC Straight Jack for Cable-RG316,174

SIZE A	Product NO. RHT-610-0208	REV B
DateTime 2017/2/22	CAD FILE D/company drawings/BD	SHEET: 1 OF 1