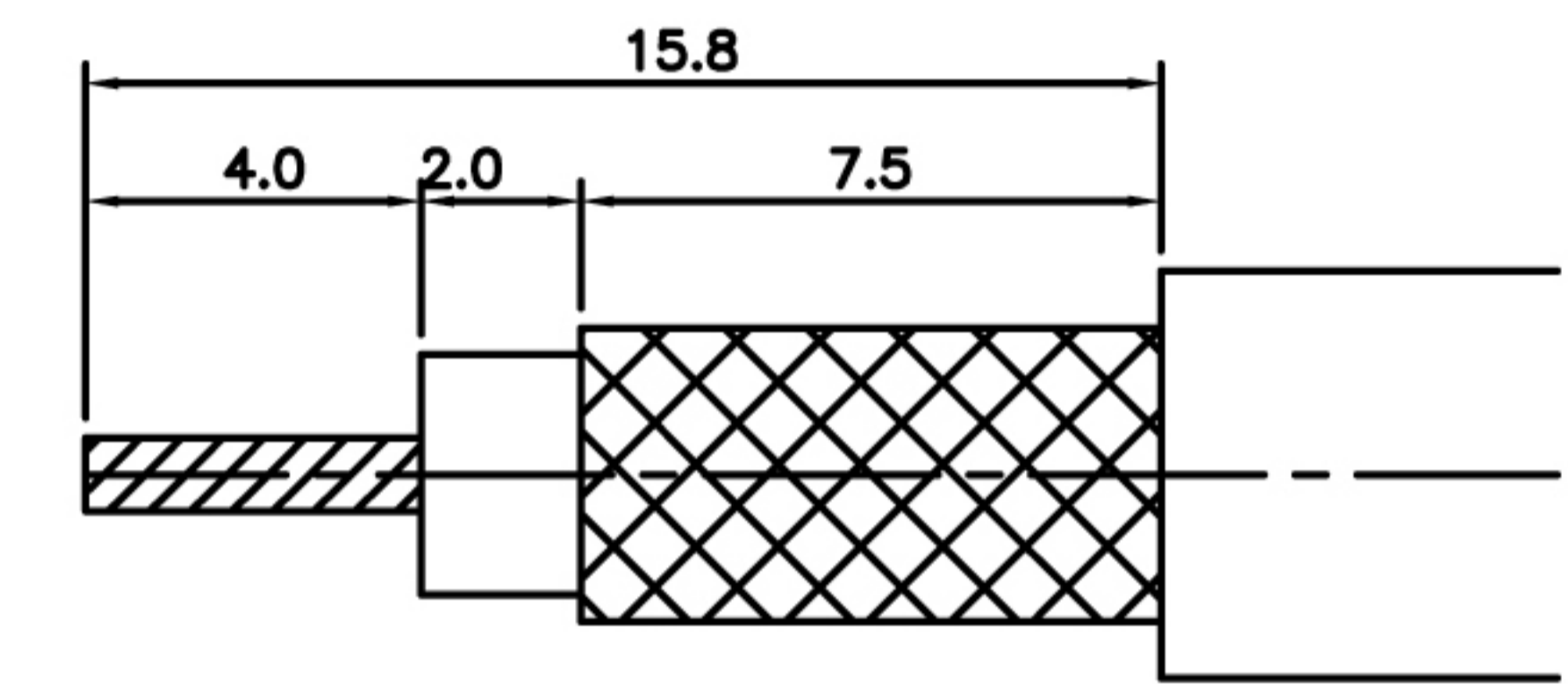
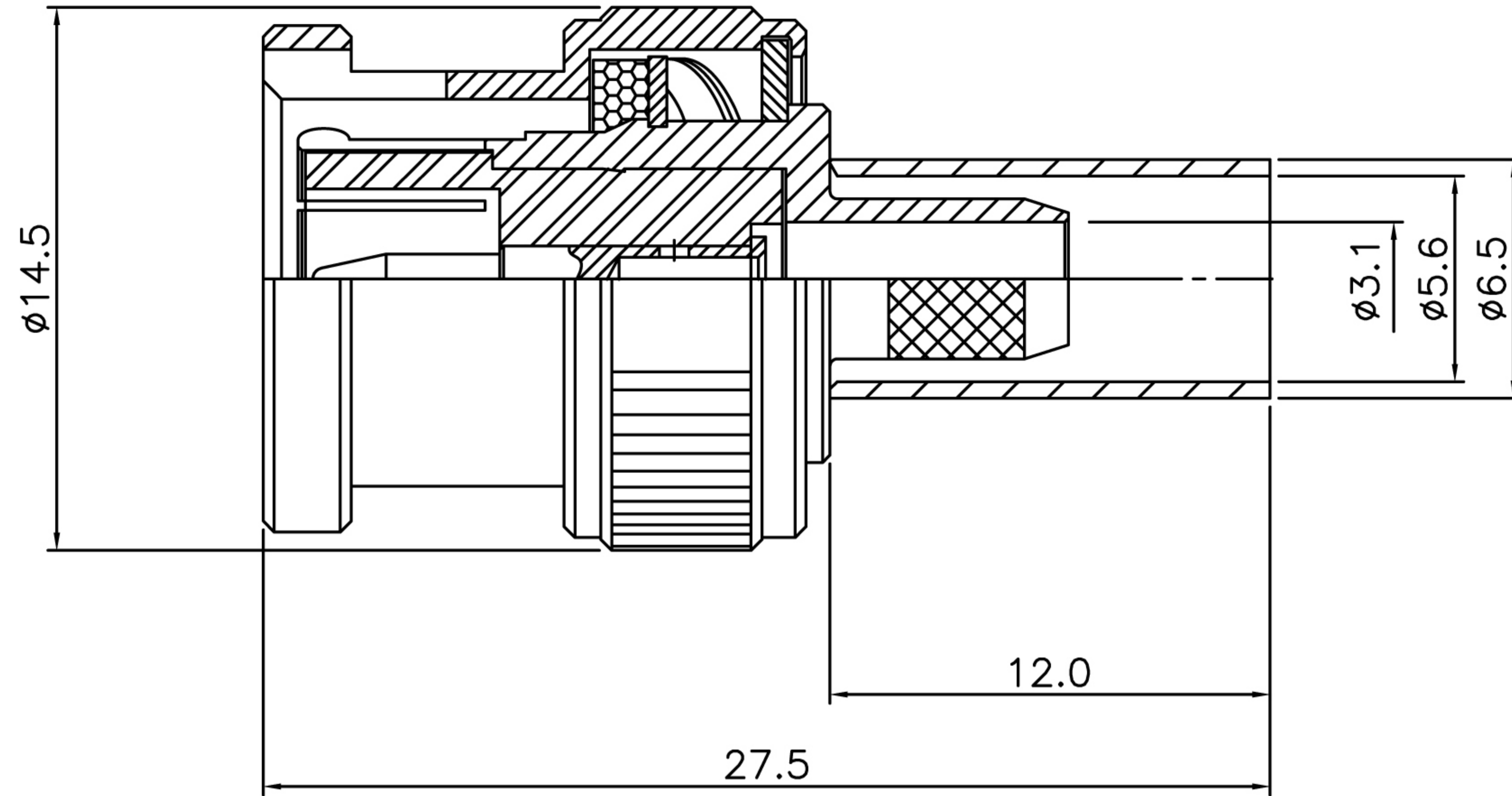




Product NO.	Renhotec-610-0204			
REV	DESCRIPTION	DWN	DATE	APPROVEN
A	First issue	Mr. Wang	2017/2/22	John kine



Recommended Stripping DIM'S
Recommended Ferrule Crimp DIES : HEX5.5

Connector parts	Materials	Finish
Coupling Cap	Zinc	Nickel Plated
Body	Brass	Nickel Plated
Center contact	Brass	Gold Plated
Insulator	TEFLON	-
Ferrule	Brass	Nickel Plated

NOTE :		Tolerance	0-6 ±0.10 6-30 ±0.20 30-120 ±0.30 Angular ±2°
DRAWN	Zelin. Zhang	2017/2/22	View
CHECKED			UNIT
APPROVALS	John Kine	2017/2/22	SCALE



RENHOTEC GROUP

Name: BNC Straight Plug for Cable-RG400, 223			
SIZE	Product NO.	RHT-610-0204	REV
A			B
DateTime	CAD FILE	SHEET: 1 OF 1	
2017/2/22	D/company drawings/BD		