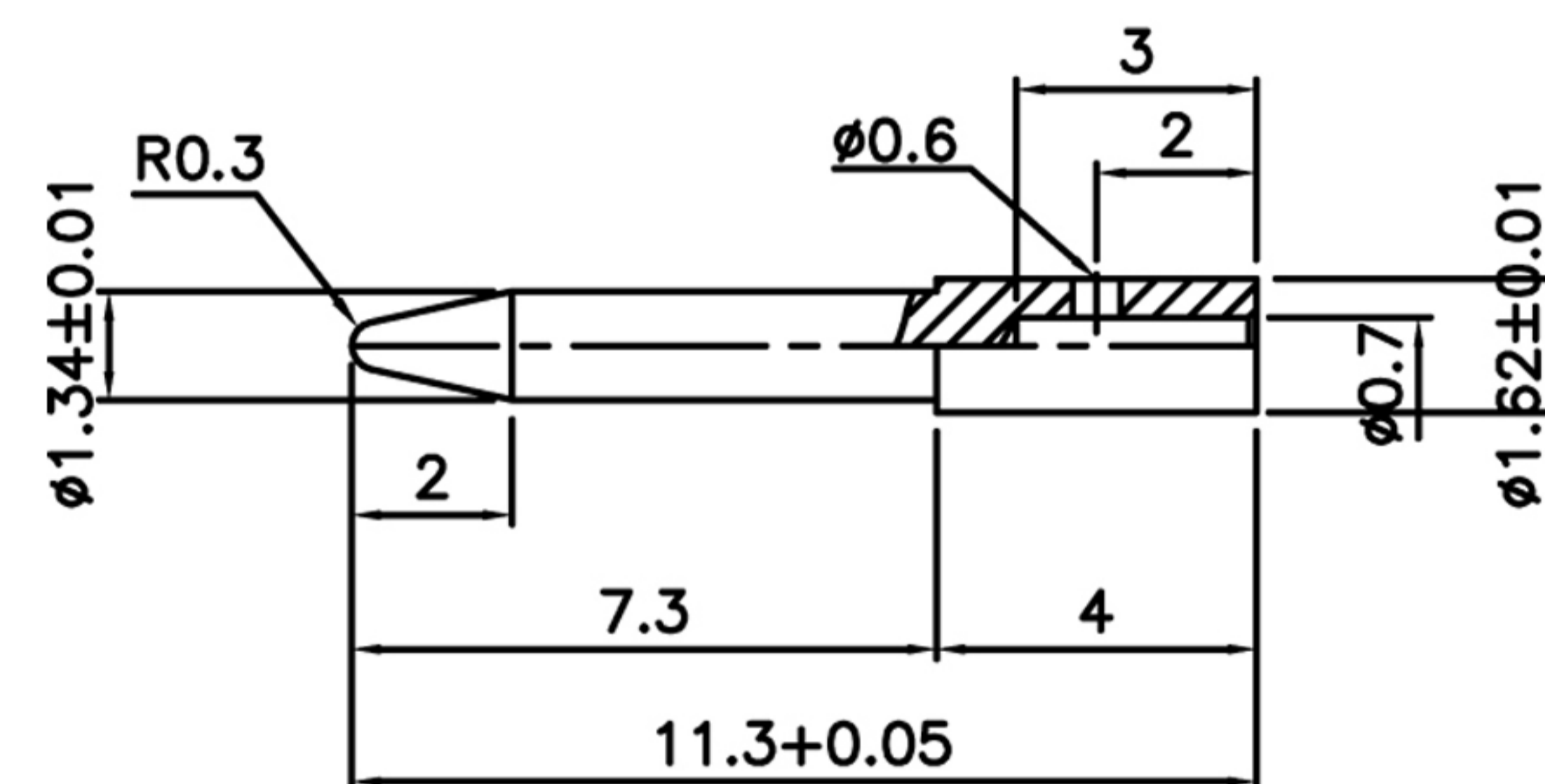
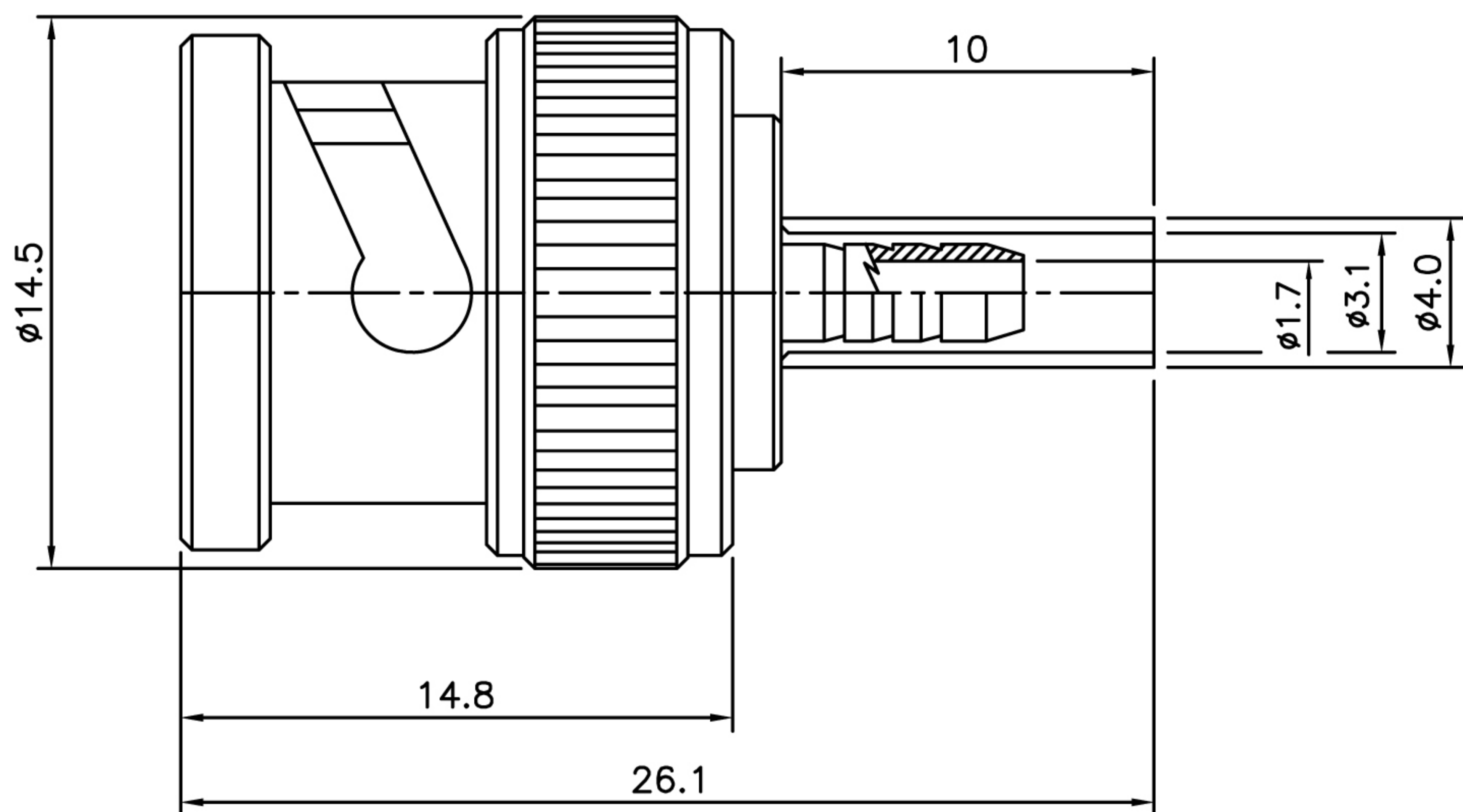




SPECIFICATIONS

Impedance ; 50ohm
 Frequency ; DC~4GHz
 Temperature range : -55°C to +155°C
 RoHS : Compliant

Product NO.	Renhotec-610-0202			
REV	DESCRIPTION	DWN	DATE	APPROVEN
A	First issue	Mr. Wang	2017/2/22	John kine



CENTER CONTACT

Connector parts	Materials	Finish
Coupling Cap	Zinc	Nickel Plated
Body	Brass	Nickel Plated
Center contact	Brass	Gold Plated
Ferrule	Brass	Nickel Plated
Insulator	PTFE	-

NOTE :		Tolerance	0-6 ±0.10 6-30 ±0.20 30-120 ±0.30 Angular ±2°
DRAWN Zelin. Zhang	2017/2/22	View	
CHECKED		UNIT	MM
APPROVALS John Kine	2017/2/22	SCALE	1:1



RENHOTEC GROUP

Name: BNC-Straight-Plug for Cable-RG316, 174			
SIZE A	Product NO. RHT-610-0202	REV B	
DateTime 2017/2/22	CAD FILE D/company drawings/BD	SHEET: 1 OF 1	