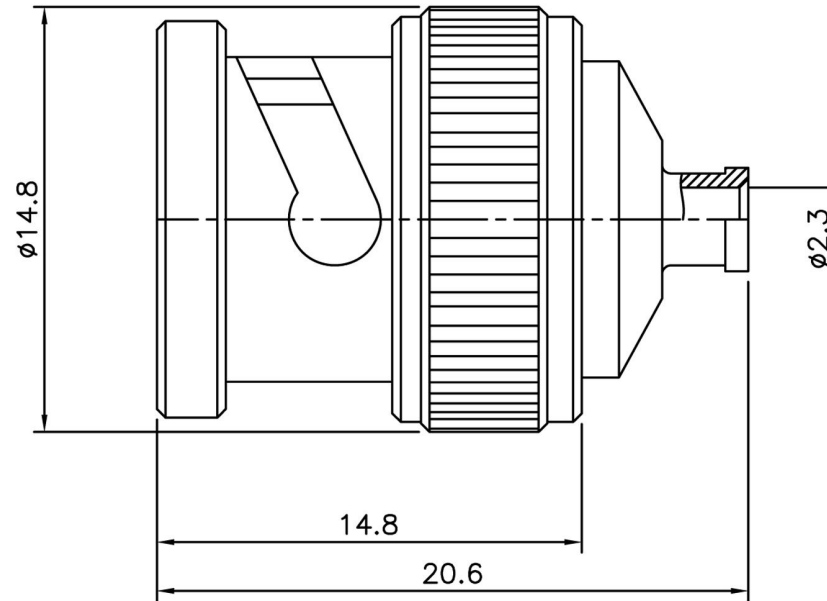





Product NO.	Renhotec-610-0200			
REV	DESCRIPTION	DWN	DATE	APPROVEN
A	First issue	Mr. Wang	2017/2/22	John kine



Connector parts	Materials	Finish
Coupling Cap	Zinc	Nickel Plated
Body	Brass	Nickel Plated
Center contact	Brass	Gold Plated
Insulator	PTFE	-

NOTE:		Tolerance	0-6 ±0.10 6-30 ±0.20 30-120 ±0.30 Angular ±2°	 <b>RENHOTEC GROUP</b>
DRAWN	2017/2/22			
CHECKED		UNIT	MM	REV
APPROVALS	2017/2/22	SCALE	1:1	DATE
John Kine				D/company drawings/BD SHEET: 1 OF 1