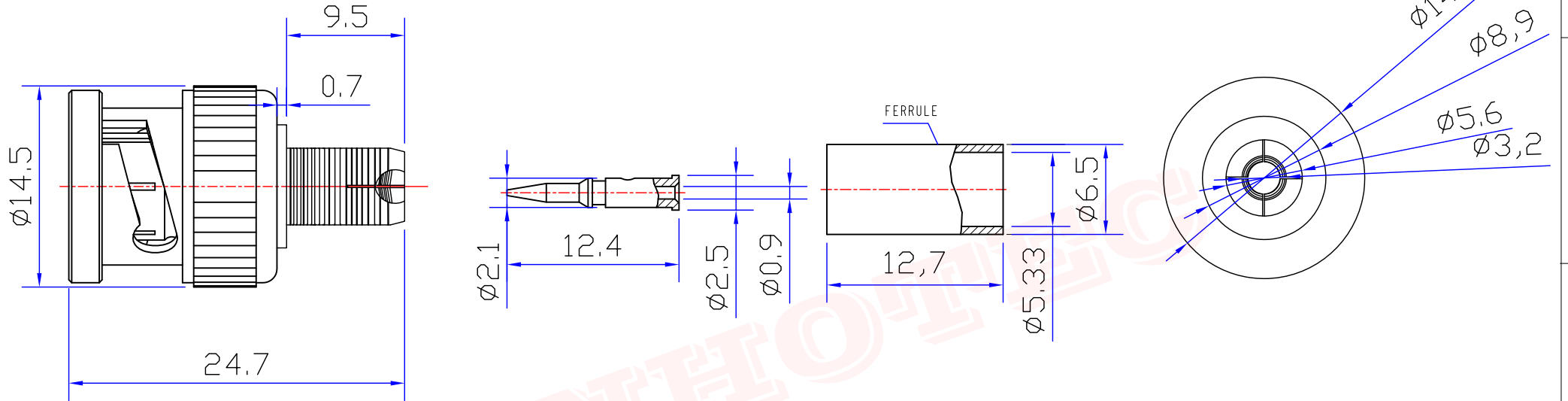




Product NO.	Renhotec-610-0071			
REV	DESCRIPTION	DWN	DATE	APPROVEN
A	First issue	Mr.Wang	2016/3/05	John kine



Specification:

Impedance: 50. Ohms

VSWR: 1.3MAX

Frequency range: DC~4G

Working Voltage: 500V rms @ sea level

Insulation resistance: 5000 Ohms min

Temperature range: -55℃ TO +155℃

Relative temperature: ≤95%(40℃±2℃)

Drawings products are in line with ROHS standards.

NOTE:				Tolerance	0-6 ±0.10 6-30 ±0.20 30-120 ±0.30 Angular ±2°	<b>RENHOTEC GROUP</b> <a href="http://www.renhotec.com">www.renhotec.com</a>		
8				View			Name: BNC 5C PLUG FOR RG58	
7			1	DRAWN Zelin.Zhang 2016/03/05	UNIT MM	SIZE A	Product NO. RENHOTEC-610-0071	REV A
6			1					
5			1	APPROVALS John Kine 05/03.2016	SCALE 1:1	DateTime 2016/3/05	CAD FILE D/company drawings/BD	SHEET: 1 OF 1
4	FERRULE	BRASS	NICKEL					
3	CONTACT PIN	BRASS	GOLD	1				
2	INSULATOR	TEFLON	WHITE	1				
1	BODY	BRASS	NICKEL	1				
	DFSCRIPTION	MATFRIAL	FINISH	QTÝ				
1	2	3	4	5	6			