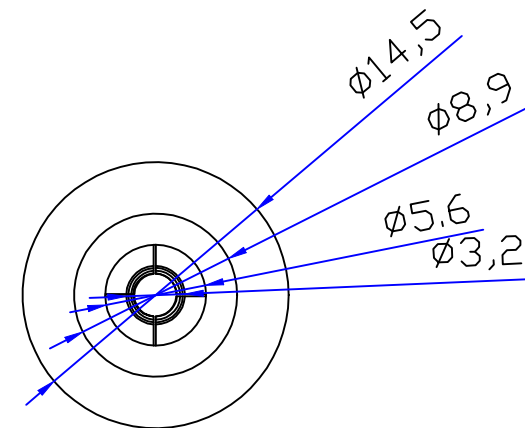
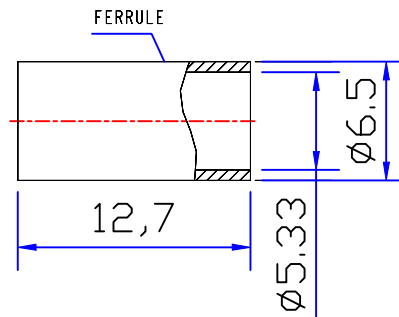
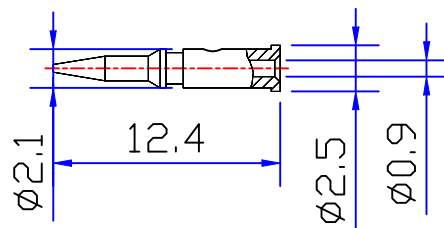
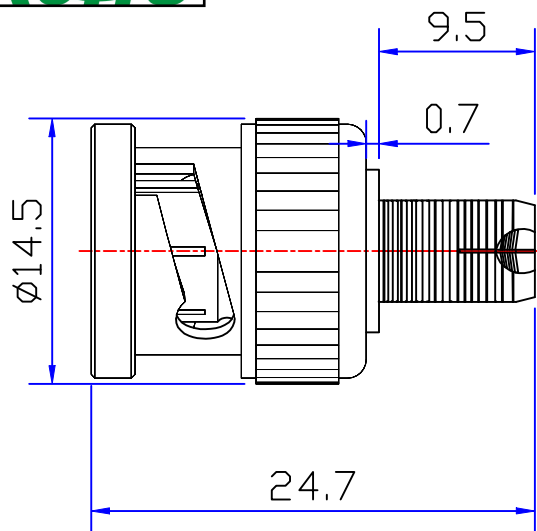




Product NO.	Renhotec-610-0081			
REV	DESCRIPTION	DWN	DATE	APPROVEN
A	First issue	Mr. Wang	2016/3/05	John kine



**Specification:**

Impedance:50. Ohms

VSWR:1.3MAX

Frequency range:DC~4G

Working Voltage:500V rms @ sea level

Insulation resistance:5000 Ohms min

Temperature range:-55°C TO +155°C

Relative temperature:≤95%(40° C±2° C)

Drawings products are in line with ROHS standards.

**NOTE:**

Tolerance

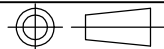
0-6	±0.10
6-30	±0.20
30-120	±0.30
Angular	±2°



**RENHOTEC GROUP**

DRAWN 2016/03/05  
Zelin. Zhang

View



Name: BNC 5C

CHECKED

UNIT

MM

SIZE A Product NO. RENHOTEC-610-0081

APPROVALS  
John Kine 09.03.2016

SCALE

1:1

DateTime 2016/3/05

CAD FILE D/company drawings/BD

SHEET: 1 OF 1

DESCRIPTION	MATFRIAL	FINISH	QTY
FERRULE	BRASS	NICKEL	1
CONTACT PIN	BRASS	GOLD	1
INSULATOR	TEFLON	WHITE	1
BODY	BRASS	NICKEL	1