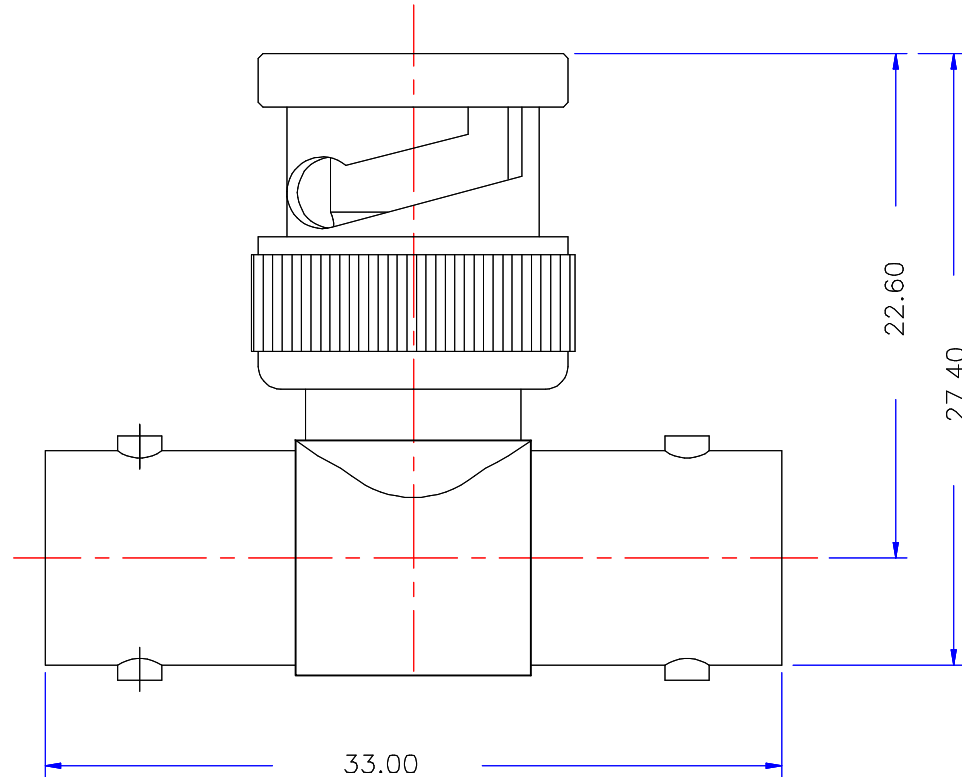




Product NO.	Renhotec-610-0078			
REV	DESCRIPTION	DWN	DATE	APPROVEN
A	First issue	Mr. Wang	2016/3/11	John kine



Specification:

Impedance: 50. Ohms

VSWR:1.3MAX

Frequency range:DC~4G

Working Voltage:500V rms @ sea level

Insulation resistance:5000 Ohms min

Temperature range:-55°C TO +155°C

Relative temperature:≤95%(40° C±2° C)

Drawings products are in line with ROHS standards .

NOTE:

Tolerance

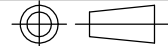
0-6	±0.10
6-30	±0.20
30-120	±0.30
Angular	±2°



RENHOTEC GROUP

DRAWN
Zelin. Zhang
2016/03/11

View



Name : BNC (T) ADAPTER/JACK-PLUG-JACK 50°

CHECKED

UNIT

MM

SIZE

A

Product NO. RENHOTEC-610-0078

REV

B

APPROVALS
John Kine
11/03.2016

SCALE

1:1

DateTime

2016/ 3/ 11

CAD FILE

D/company drawings/BD

SHEET: 1 OF 1

DESCRIPTION	MATERIAL	FINISH	QTY
CONTACT PIN	BRASS	GOLD	1
CONTACT PIN	PHOS. BRONZE	GOLD	1
INSULATOR	DELRIN	NATURAL	1
BODY	DIE CAST	NICKEL	1