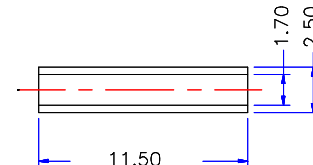
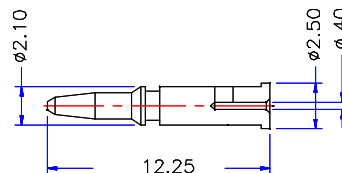
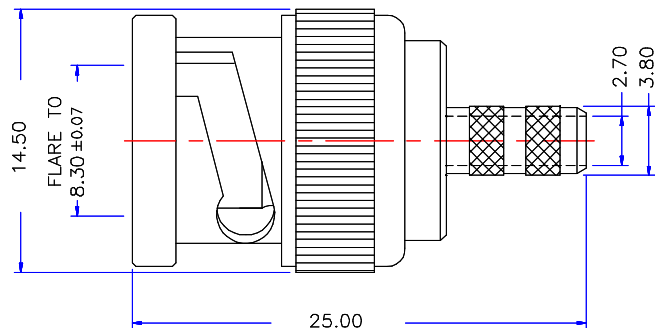


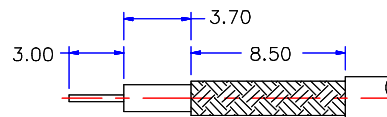


Product NO.	Renhotec-610-0077			
REV	DESCRIPTION	DWN	DATE	APPROVEN
A	First issue	Mr. Wang	2016/3/11	John kine

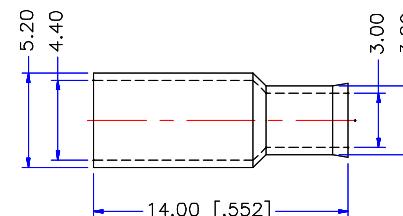


CRIMP NOTES:

1. CRIMPED FERRULE
HEX CRIMP SIZE .178"
2. CRIMPED CONTACT PIN
HEX CRIMP SIZE .068"



RECOMMENDED
CABLE STRIPPING DIM'S



SPECIFICATIONS:

Impedance: 75 Ohms
 Frequency Range: DC~3G
 VSWR: 1.3max
 Working Voltage: 500v RMS @ SEA level
 Insulation Resistance: 5000 Ohms min
 Temperature Range: -40°C TO +110°C
 Drawings products are in line with ROHS standards

1	FERRULE	COPPER	NICKEL	I
2	SLEEVE	DELIN	NATURAL	I
3	CONTACT PIN	BRASS	GOLD	I
4	INSULATOR	DELIN	NATURAL	I
5	SHELL/BODY	BRASS	NICKEL	I
6	DESCRIPTION	MATERIAL	FINISH	I
7				
8				
9				
10				
NO	Component Number	Material	Finish	QTY

NOTE:	
DRAWN	2016/03/11
Zelin. Zhang	11
CHECKED	
APPROVALS	11/03.2016
John Kine	

Tolerance	0-6 ±0.10 6-30 ±0.20 30-120 ±0.30 Angular ±2°
View	
UNIT	MM
SCALE	1:1

Name: BNC PLUG-75° (RG179/U187/U CABLE)	
SIZE A	Product NO. RENHOTEC-610-0077
DateTime	2016/3/11
CAD FILE	D/company drawings/BD
SHEET: 1 OF 1	