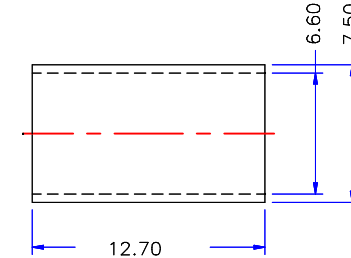
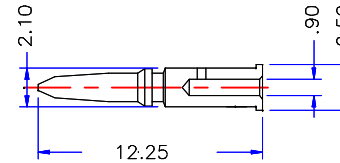
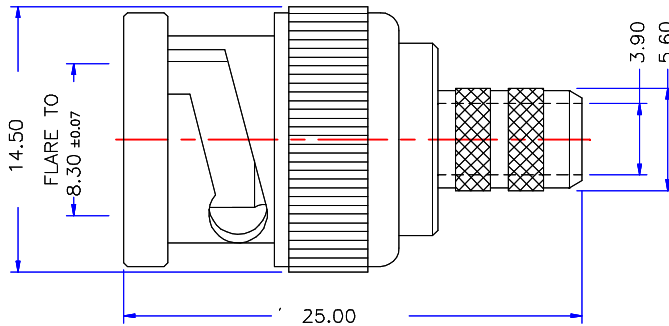
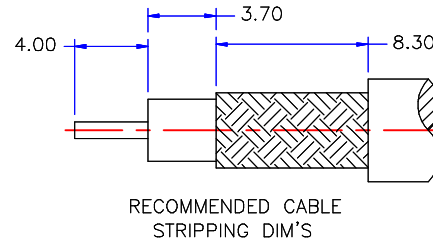




Product NO.	Renhotec-610-0072			
REV	DESCRIPTION	DWN	DATE	APPROVEN
A	First issue	Mr. Wang	2016/3/05	John kine



Specification:

Impedance:75. Ohms

VSWR:1.3MAX

Frequency range:DC~4G

Working Voltage:500V rms @ sea level

Insulation resistance:5000 Ohms min

Temperature range:-55°C TO +155°C

Relative temperature:≤95%(40° C±2° C)

Drawings products are in line with ROHS standards.

CRIMP NOTES:

1. CRIMPED FERRULE
HEX CRIMP SIZE .255"
2. CRIMPED CONTACT PIN
HEX CRIMP SIZE .068"

NOTE:

DRAWN	2016/03/05
Zelin. Zhang	
CHECKED	
APPROVALS	09.03.2016
John Kine	

Tolerance	0-6 ±0.10 6-30 ±0.20 30-120 ±0.30 Angular ±2°
View	
UNIT	MM
SCALE	1:1



RENHOTEC GROUP

Name: BNC CRIMP PLUG - RG59/U 20AWG CENTER CONTACT - 75ohm	
SIZE A	Product NO. RENHOTEC-610-0072
DateTime	2016/3/05
CAD FILE	D/company drawings/BD
SHEET: 1 OF 1	

DFSCRIPTION	MATFRIAL	FINISH	QTY
8			
7			1
6			1
5			1
4	FERRULE	BRASS	NICKEL
3	CONTACT PIN	BRASS	GOLD
2	INSULATOR	TEFLON	WHITE
1	BODY	BRASS	NICKEL