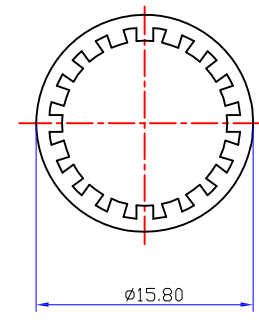
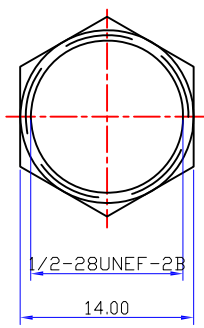
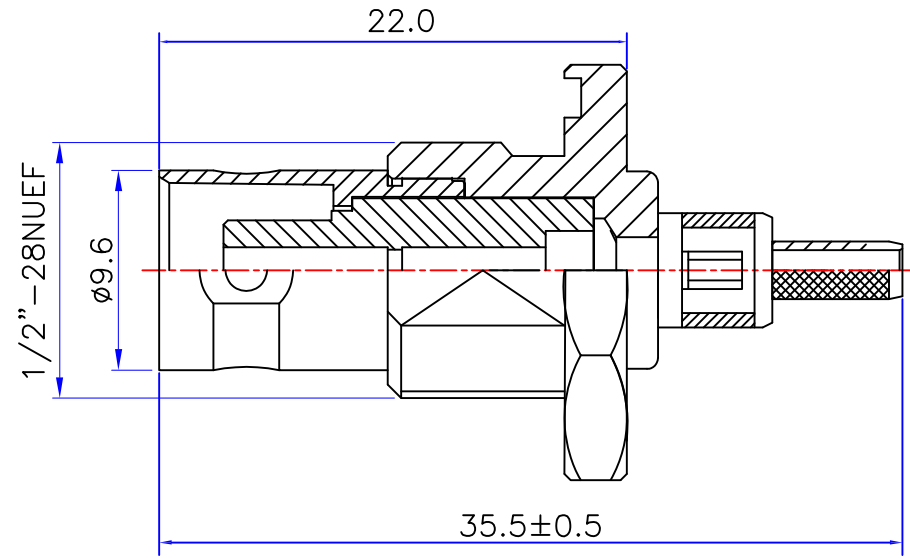
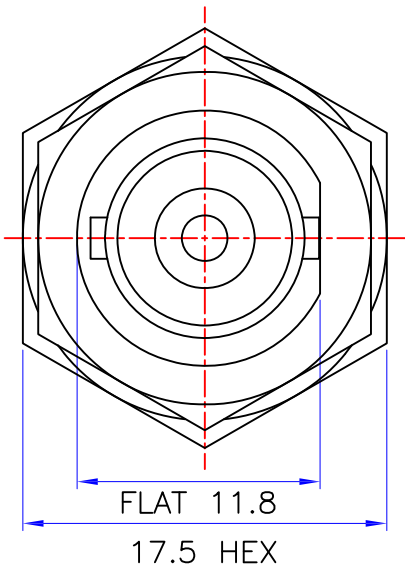




Product NO.	Renhotec-610-0067			
REV	DESCRIPTION	DWN	DATE	APPROVEN
A	First issue	Mr. CHEN	2016/3/11	John kine



Specification:

Impedance: 50. Ohms
 VSWR: 1.3MAX
 Frequency range: DC~4G
 Working Voltage: 500V rms @ sea level
 Insulation resistance: 5000 Ohms min
 Temperature range: -55°C TO +155°C
 Relative temperature: ≤95% (40° C ± 2° C)
 Drawings products are in line with ROHS standards.

NOTE:
 DRAWN 2016/03/11 Zelin. Zhang
 CHECKED
 APPROVALS John 11/03.2016
 Kine

Tolerance	0-6 ±0.10 6-30 ±0.20 30-120 ±0.30 Angular ±2°
View	
UNIT	MM
SCALE	1:1



RENHOTEC GROUP

NO	DESCRIPTION	MATERIAL	FINISHED	QTY
E	GASKET	TE	NICKEL	1
D	NUT	BRASS	NICKEL	1
C	INSULATOR	TEFLON	NONE	1
B	CONTACT PLATING	BRASS	GOLD	1
A	BODY	BRASS	NICKEL	1

Name: BNC CONNECTOR FOR RG179 CABLE	
SIZE A	Product NO. RENHOTEC-610-0067
DateTime 2016/3/11	CAD FILE D/company drawings/BD
SHEET: 1 OF 1	