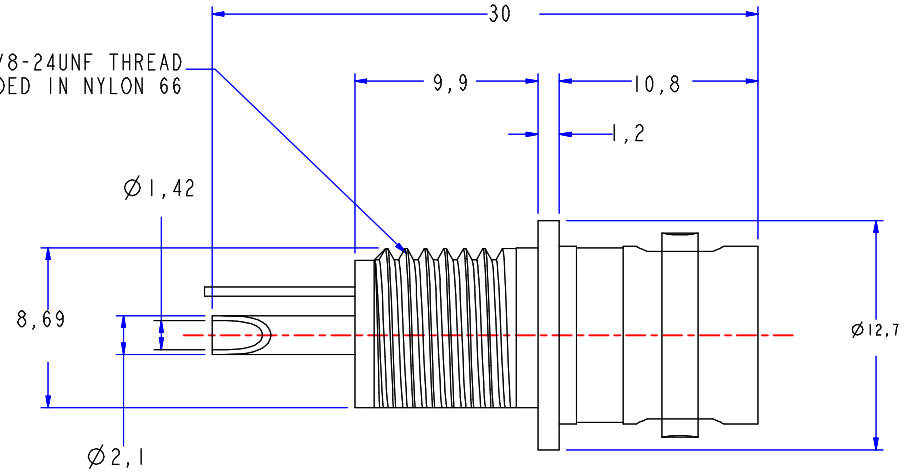
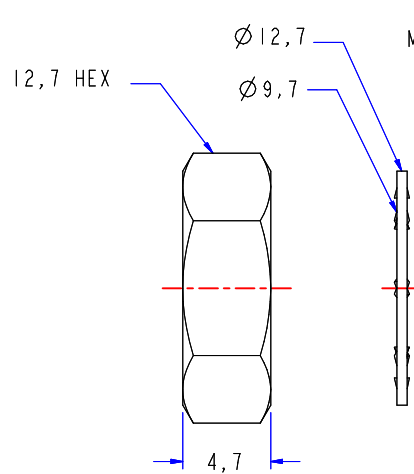
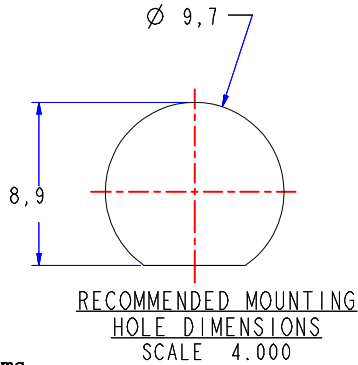


SCALE 2.000

Product NO.	Renhotec-610-0062			
REV	DESCRIPTION	DWN	DATE	APPROVEN
A	First issue	Mr. Wang	2016/3/05	John kine



Specification:

Impedance: 75. Ohms

VSWR:1.3MAX

Frequency range:DC~4G

Working Voltage:500V rms @ sea level

Insulation resistance:5000 Ohms min

Temperature range:-55°C TO +155°C

Relative temperature:≤95%(40° C±2° C)

Drawings products are in line with ROHS standards.

NOTE:
DRAWN Zelin.Zhang 2016/03/05
CHECKED
APPROVALS John Kine 09.03.2016

Tolerance	0-6 ±0.10 6-30 ±0.20 30-120 ±0.30 Angular ±2°
View	
UNIT	MM
SCALE	1:1



RENHOTEC GROUP

Name: BNC RECEPTACLE INSULATED FROM GROUND 75 OHM

SIZE A	Product NO. RENHOTEC-610-0062	REV B
DateTime 2016/3/05	CAD FILE D/company drawings/BD	SHEET: 1 OF 1

DESCRIPTION	MATERIAL	FINISH	QTY
8			
7			
6			
5	HEX NUT	BRASS NICKEL	1
4	LOCK WASHER	BRASS NICKEL	1
3	CONTACT PIN	BER. COPPER GOLD	1
2	INSULATOR	PTFE WHITE	1
1	BODY	BRASS NICKEL	1