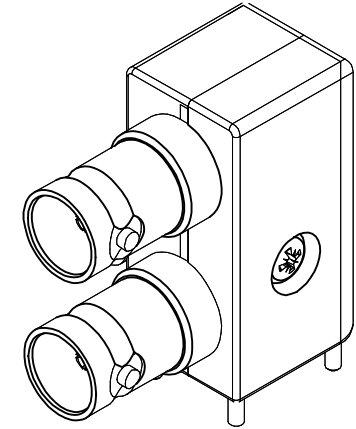
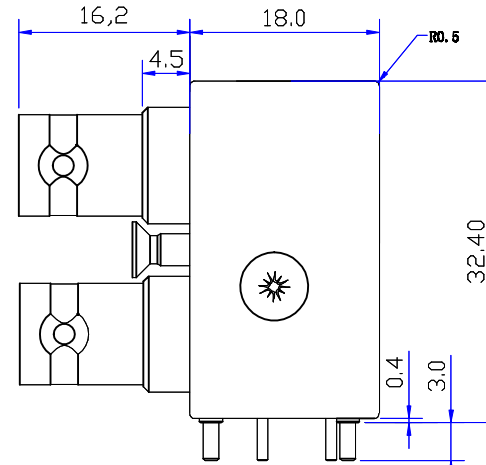
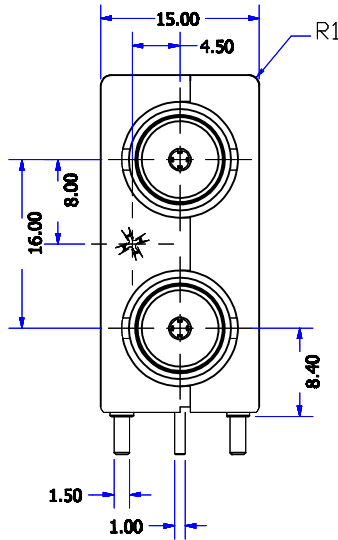




Product NO.	Renhotec-610-0054			
REV	DESCRIPTION	DWN	DATE	APPROVEN
A	First issue	Mr. chen	2016/3/10	John kine



Specification:

Impedance:75. Ohms

VSWR:1.3MAX

Frequency range:DC~4G

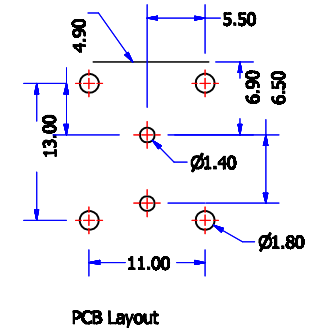
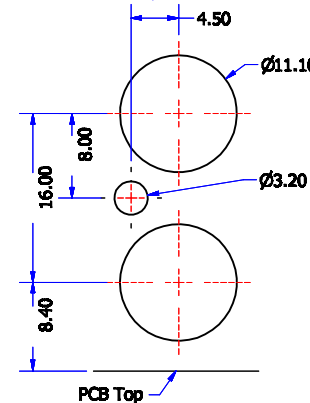
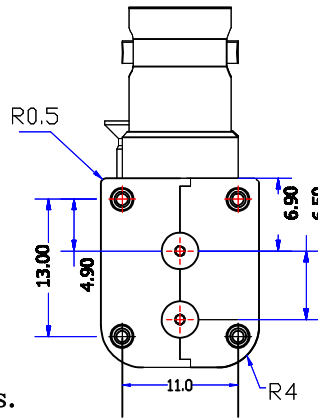
Working Voltage:500V rms @ sea level

Insulation resistance:5000 Ohms min

Temperature range:-55°C TO +155°C

Relative temperature:≤95%(40° C±2° C)

Drawings products are in line with ROHS standards.

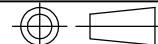


NOTE:

Tolerance

0-6 ±0.10
6-30 ±0.20
30-120 ±0.30
Angular ±2°

View



UNIT

MM

SCALE

1:1



RENHOTEC GROUP

Name: BNC CONNECTOR DNN

Product NO. RENHOTEC-610-0054

DateTime 2016/3/10

CAD FILE D/company drawings/BD

SHEET: 1 OF 1

DRAWN	2016/03/10
Zelin. Zhang	
CHECKED	
APPROVALS	19.03.2016
John Kine	

NO	DESCRIPTION	MATERIAL	FINISH	QTY
4	Insulator	PTFE	NICKEL	2
3	INSULATION PLASTIC	ABS	BLACK	2
2	PIN	Phosphor copper	NICKEL	2
1	BODY	ZINC	NICKEL	2