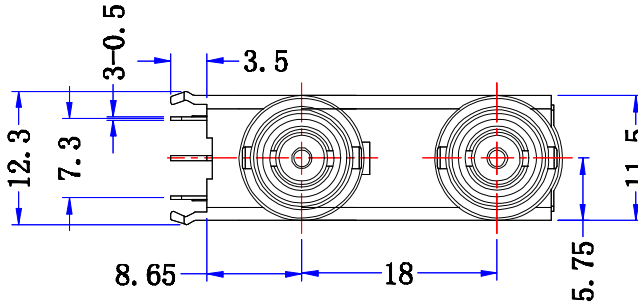
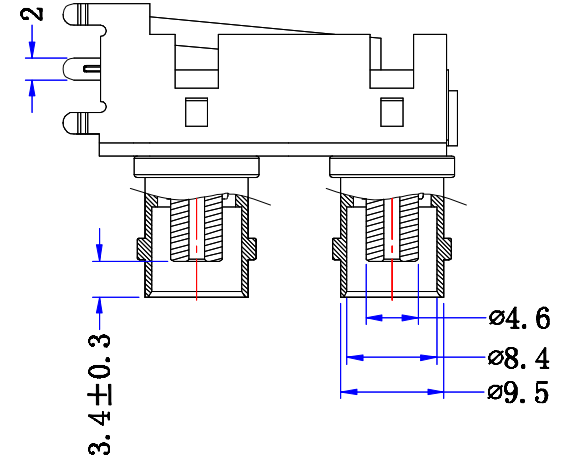
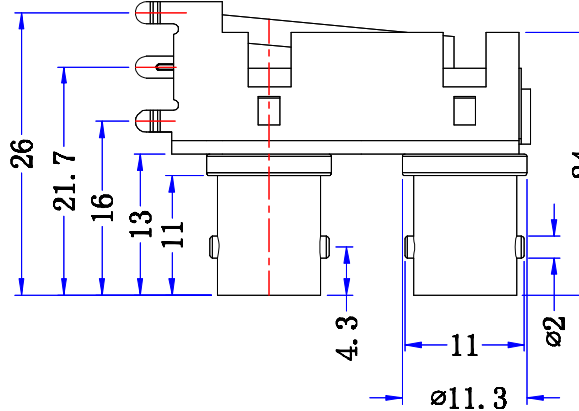
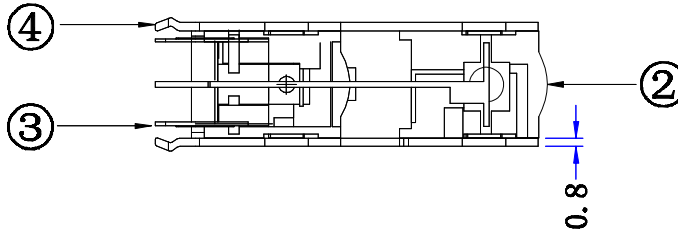
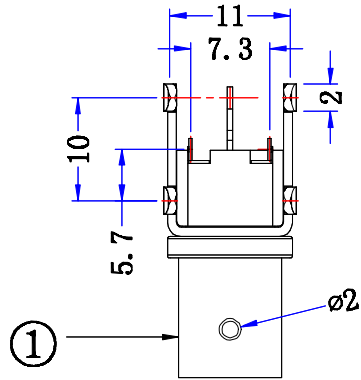




Product NO.	Renhotec-610-0053			
REV	DESCRIPTION	DWN	DATE	APPROVEN
A	First issue	Mr. Wang	2016/3/10	John kine



Specification:

Impedance:50. Ohms

VSWR:1.3MAX

Frequency range:DC~4G

Working Voltage:500V rms @ sea level

Insulation resistance:5000 Ohms min

Temperature range:-55°C TO +155°C

Relative temperature:≤95%(40° C±2° C)

Drawings products are in line with ROHS standards.

NOTE:

Tolerance

0-6	±0.10
6-30	±0.20
30-120	±0.30
Angular	±2°

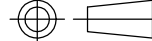


RENHOTEC GROUP

4	Iron bracket	Iron	NICKEL	1
3	INSULATOR	POM	NONE	1
2	CONTACT PLATING	BRASS	Tinning	1
1	BODY	ZINC	NICKEL	2
NO	DESCRIPTION	MATERIAL	FINISHED	QTY

DRAWN	2016/03/
Zelin. Zhang	10
CHECKED	
APPROVALS	
John Kine	19.03.2016

View



UNIT

MM

SCALE

1:1

Name: BNC CONNECTOR DNN

SIZE	Product NO. RENHOTEC-610-0053	REV
A		B

DateTime	CAD FILE	SHEET: 1 OF 1
2016/3/10	D/company drawings/BD	