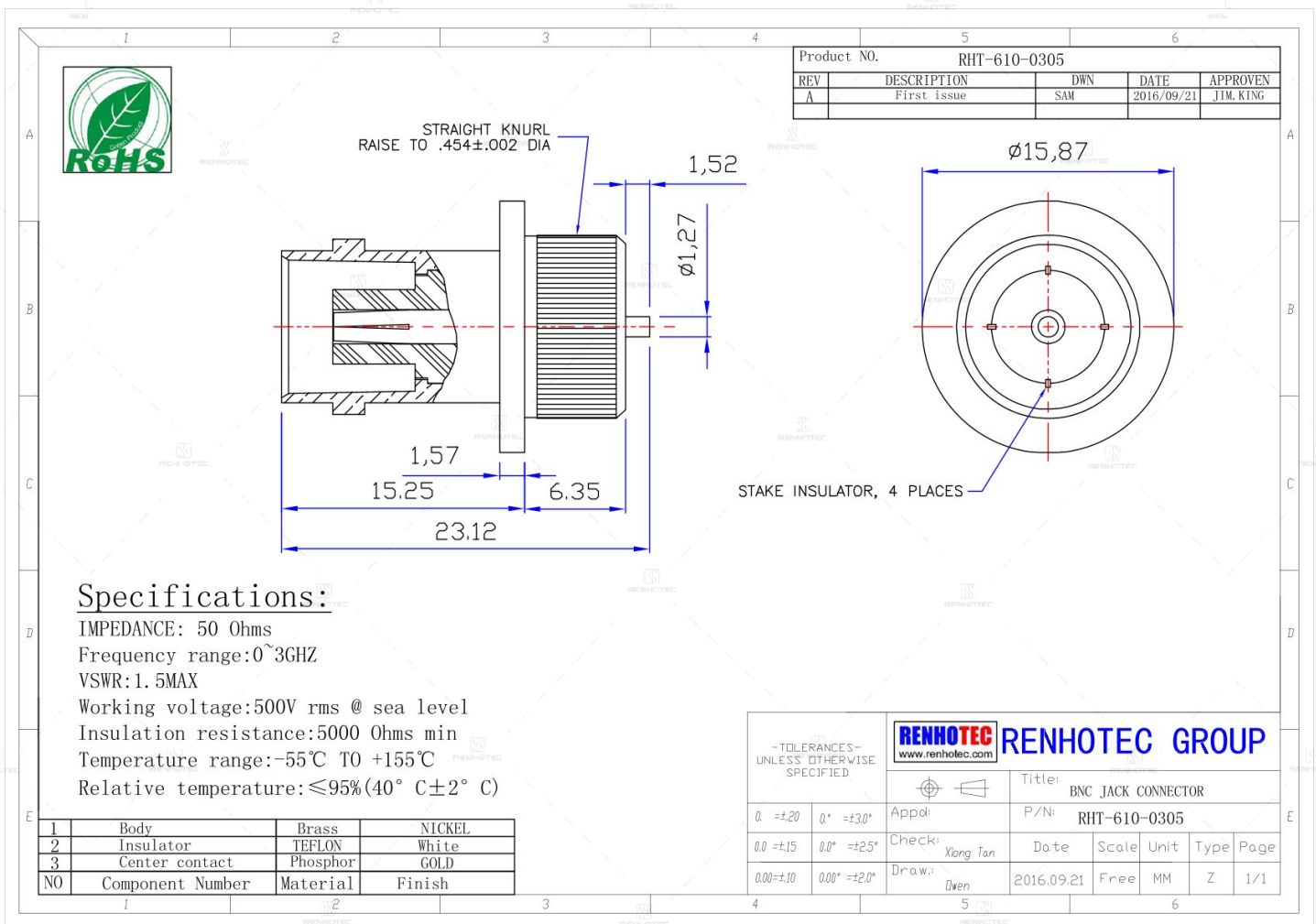


BNC Connector Jack Straight Press in 50 Ohm - RHT-610-0305



Drawing



Basic Information

Connector Type	Jack
Contact Type	Female Pin
Fastening Type	Bayonet
Mounting Feature	Through Hole
Mounting Type	PCB Mount
Number of Ports	1
Orientation	Straight
RF Series	BNC Type

Electrical Specification

Dielectric Withstanding Voltage	1500 V rms
Frequency Range	0-4 GHz for 50 ohm
Impedance	50 ohm

Environmental Specification

Temperature Range	POM -40°C ~+60°C, Teflon -55°C ~+155°C
--------------------------	--

Mechanical Specification

Mating Durability	≥ 500 Cycles
--------------------------	--------------

Material and Finish

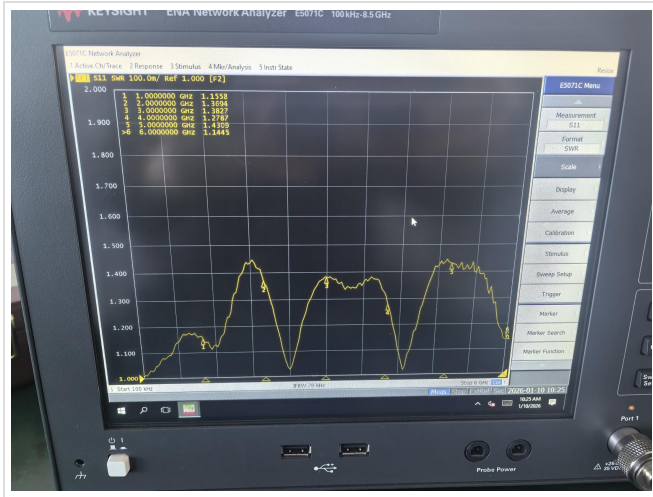
Component Description	Material	Finish
Shell	Copper Alloy	Nickel Plated
Insulator	Teflon White	
Center Contact	Copper Alloy	Gold Plated

Impedance Testing

Impedance	50 ohm
-----------	--------

Frequency & VSWR Test Report

Frequency Range	0-4 GHz for 50 ohm
VSWR	R/A type $\leq 1.30/3\text{GHz}$, Straight type $\leq 1.22/3\text{GHz}$



Contact Resistance Test

Contact Type	Female Pin
Center Contact Resistance	$\leq 1.5 \text{ M}\Omega$ (Milliohms Max.)
Outer Contact Resistance	$\leq 2.0 \text{ M}\Omega$ (Milliohms Max.)
Contact Termination Style	Solder



Working Voltage & Insulation Resistance Test

Working Voltage	500 V rms
Insulation Resistance	$\geq 5 \times 10^3 M\Omega$ (Megohms MIN.)



Version History

REV	Date	Revise Contents	Drafter	Approver
A.0	2026.3.23	The initial formulation	Marcella	Joson

Disclaimer

The information in this specification is subject to change without notice. Please confirm the latest version before use. Technical parameters are for reference only, and sufficient testing and verification should be conducted in actual applications.