
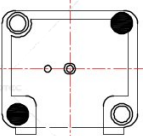
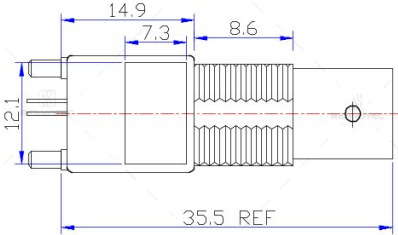
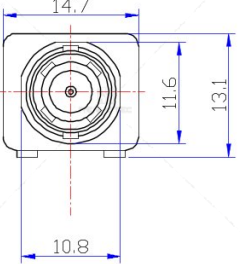
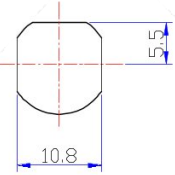
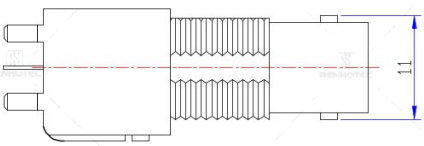
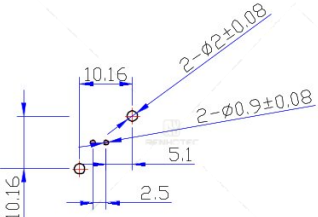



BNC Connector Right Angle Female Panel Mount Bulkhead 50 Ohm - RHT-610-0036



Drawing

				Product NO. Renhotec-610-0036 REV A DESCRIPTION First issue DWN Mr. Wang DATE 2016/3/05 APPROVEN John kine																			
																							
<p>Specification: Impedance:50.75. Ohms VSWR:1.3MAX Frequency range:DC~4G Working Voltage:500V rms @ sea level Insulation resistance:5000 Ohms min Temperature range:-55°C TO +155°C Relative temperature:≤95%(40° C±2° C) Drawings products are in line with ROHS standards.</p>				 <p>PCB HOLE CONFIGURATION RECOMMENDED PANEL CUTOUTS</p>																			
		NOTE: DRAWN Zelin. Zhang 2016/03/05 CHECKED APPROVALS John Kine 09.03.2016		Tolerance 0-6 ±0.10 6-30 ±0.20 30-120 ±0.30 Angular ±2° View  UNIT MM SCALE 1:1																			
<table border="1" style="width:100%; border-collapse: collapse;"> <tr> <td style="width:5%;">3</td> <td style="width:15%;">BODY</td> <td style="width:10%;">ZINC</td> <td style="width:10%;">NICKEL</td> <td style="width:5%;">1</td> </tr> <tr> <td>2</td> <td>INSULATOR</td> <td>POM</td> <td>WHITE</td> <td>1</td> </tr> <tr> <td>1</td> <td>PIN</td> <td>BRASS</td> <td>GOLD</td> <td>1</td> </tr> <tr> <td>NO</td> <td>DESCRIPTION</td> <td>MATERIAL</td> <td>FINISH</td> <td>QTY</td> </tr> </table>		3	BODY	ZINC	NICKEL	1	2	INSULATOR	POM	WHITE	1	1	PIN	BRASS	GOLD	1	NO	DESCRIPTION	MATERIAL	FINISH	QTY	Name: BNC CONNECTOR DNN SIZE A Product NO. RENHOTEC-610-0036 Date Time 2016/3/05 CAD FILE D/company drawings/BD SHEET: 1 OF 1	
3	BODY	ZINC	NICKEL	1																			
2	INSULATOR	POM	WHITE	1																			
1	PIN	BRASS	GOLD	1																			
NO	DESCRIPTION	MATERIAL	FINISH	QTY																			

Basic Information

Connector Type	Jack
Contact Type	Female Pin
Fastening Type	Bayonet
Mounting Feature	Bulkhead
Mounting Type	Panel Mount
Number of Ports	1
Orientation	Right Angle
RF Series	BNC Type

Electrical Specification

Dielectric Withstanding Voltage	1500 V rms
Frequency Range	0-4 GHz for 50 ohm
Impedance	50 ohm

Environmental Specification

Temperature Range	POM -40°C ~+60°C, Teflon -55°C ~+155°C
--------------------------	--

Mechanical Specification

Mating Durability	≥ 500 Cycles
--------------------------	--------------

Material and Finish

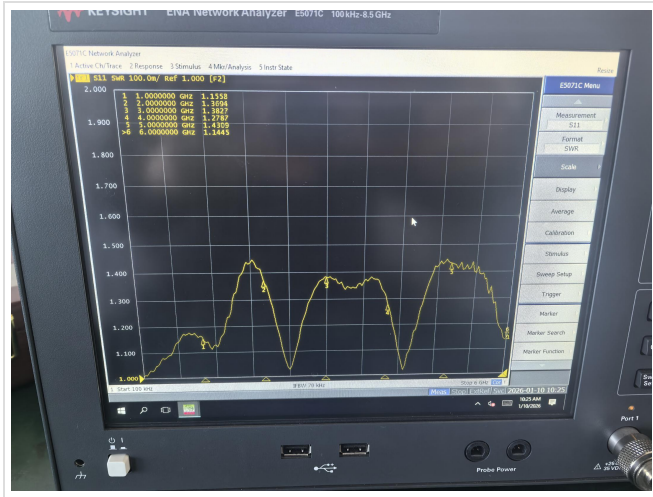
Component Description	Material	Finish
Shell	Zinc Alloy	Nickel Plated
Insulator	Teflon White	
Center Contact	Copper Alloy	Gold Plated

Impedance Testing

Impedance	50 ohm
-----------	--------

Frequency & VSWR Test Report

Frequency Range	0-4 GHz for 50 ohm
VSWR	R/A type $\leq 1.30/3\text{GHz}$, Straight type $\leq 1.22/3\text{GHz}$



Contact Resistance Test

Contact Type	Female Pin
Center Contact Resistance	$\leq 1.5 \text{ M}\Omega$ (Milliohms Max.)
Outer Contact Resistance	$\leq 2.0 \text{ M}\Omega$ (Milliohms Max.)



Working Voltage & Insulation Resistance Test

Working Voltage	500 V rms
Insulation Resistance	$\geq 5 \times 10^3 M\Omega$ (Megohms MIN.)



Version History

REV	Date	Revise Contents	Drafter	Approver
A.0	2026.3.23	The initial formulation	Marcella	Joson

Disclaimer

The information in this specification is subject to change without notice. Please confirm the latest version before use. Technical parameters are for reference only, and sufficient testing and verification should be conducted in actual applications.