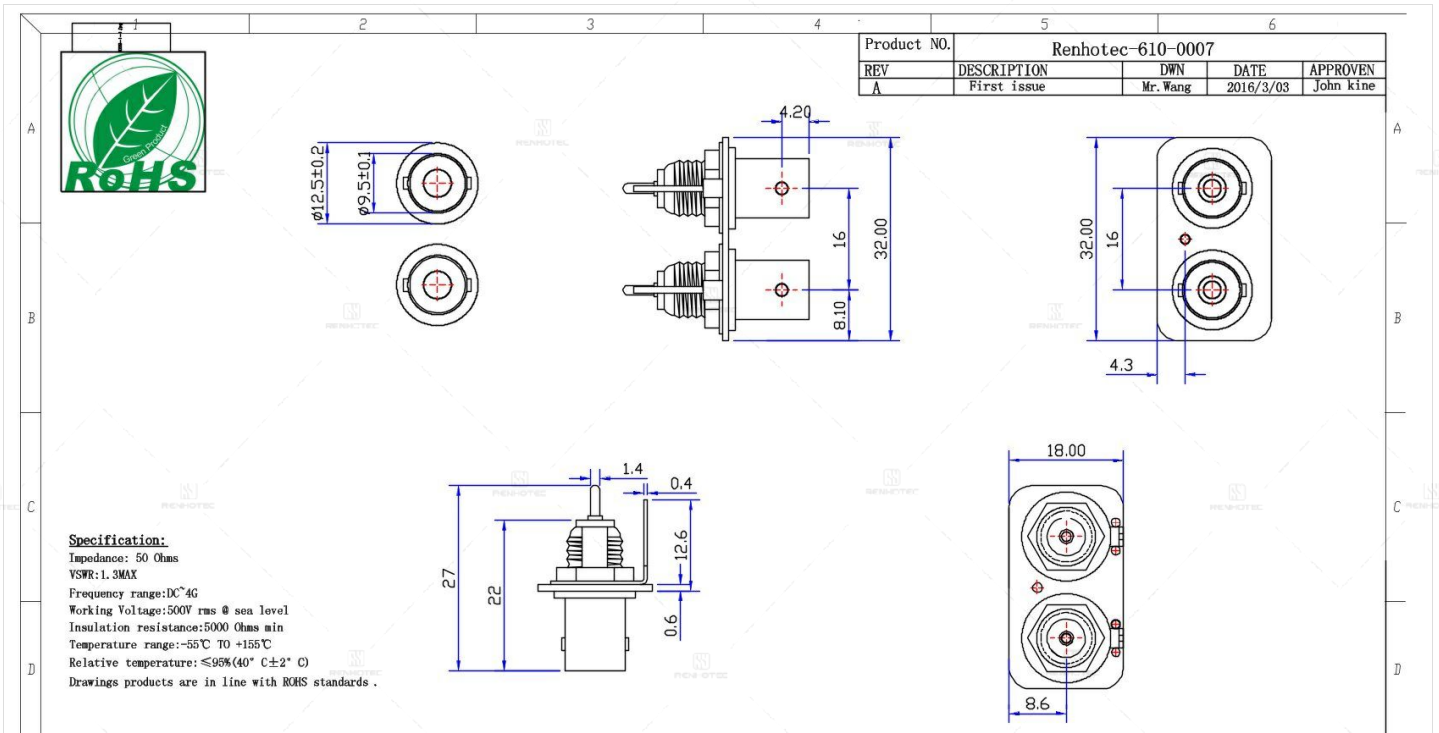


## BNC Connector Straight Jack Female Pin Through Hole - RHT-610-0007



### Drawing



### Basic Information

<b>Connector Type</b>	Jack
<b>Contact Type</b>	Female Pin
<b>Fastening Type</b>	Bayonet
<b>Mounting Feature</b>	Through Hole
<b>Mounting Type</b>	PCB Mount
<b>Number of Ports</b>	2
<b>Orientation</b>	Straight
<b>RF Series</b>	BNC Type

### Electrical Specification

<b>Dielectric Withstanding Voltage</b>	1500 V rms
<b>Frequency Range</b>	0-4 GHz for 50 ohm
<b>Impedance</b>	50 ohm

### Environmental Specification

<b>Temperature Range</b>	POM -40°C ~+60°C, Teflon -55°C ~+155°C
--------------------------	--

### Mechanical Specification

<b>Mating Durability</b>	≥ 500 Cycles
--------------------------	--------------

### Material and Finish

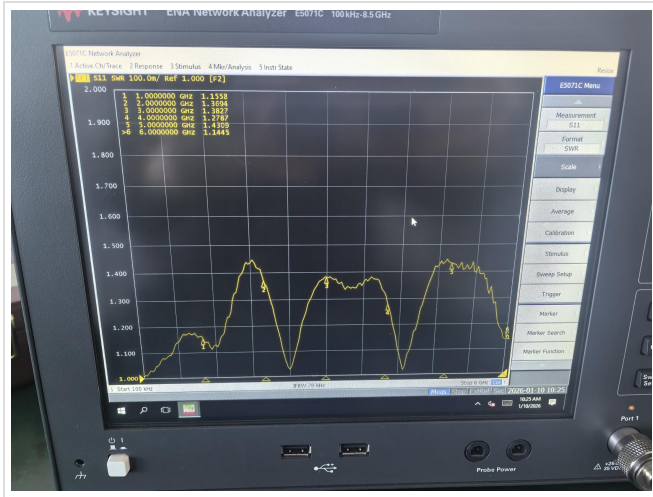
Component Description	Material	Finish
Shell	Zinc Alloy	Nickel Plated
Insulator	Teflon White	
Center Contact	Copper Alloy	Gold Plated

### Impedance Testing

Impedance	50 ohm
-----------	--------

### Frequency & VSWR Test Report

Frequency Range	0-4 GHz for 50 ohm
VSWR	R/A type $\leq 1.30/3\text{GHz}$ , Straight type $\leq 1.22/3\text{GHz}$



### Contact Resistance Test

Contact Type	Female Pin
Center Contact Resistance	$\leq 1.5 \text{ M}\Omega$ (Milliohms Max.)
Outer Contact Resistance	$\leq 2.0 \text{ M}\Omega$ (Milliohms Max.)



### Working Voltage & Insulation Resistance Test

Working Voltage	500 V rms
Insulation Resistance	$\geq 5 \times 10^3 M\Omega$ (Megohms MIN.)



### Version History

REV	Date	Revise Contents	Drafter	Approver
A.0	2026.3.23	The initial formulation	Marcella	Joson

### Disclaimer

The information in this specification is subject to change without notice. Please confirm the latest version before use. Technical parameters are for reference only, and sufficient testing and verification should be conducted in actual applications.