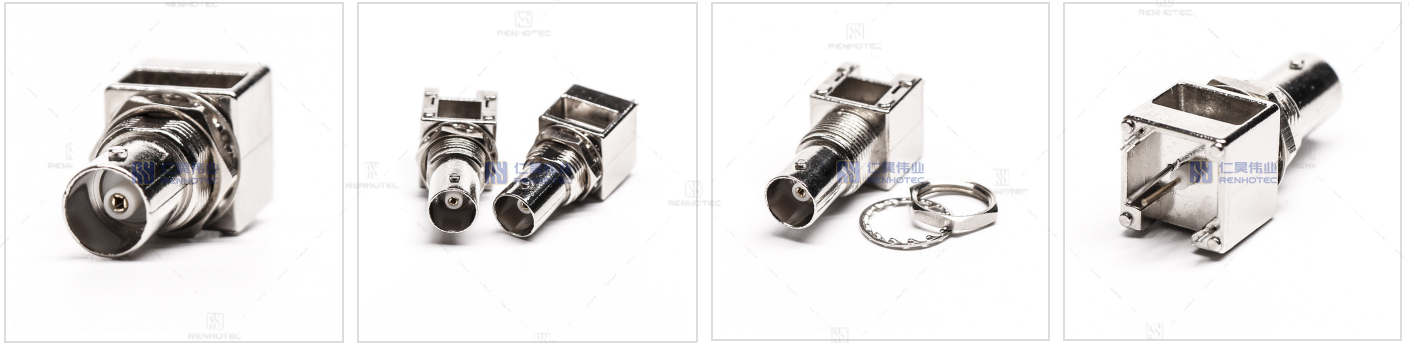

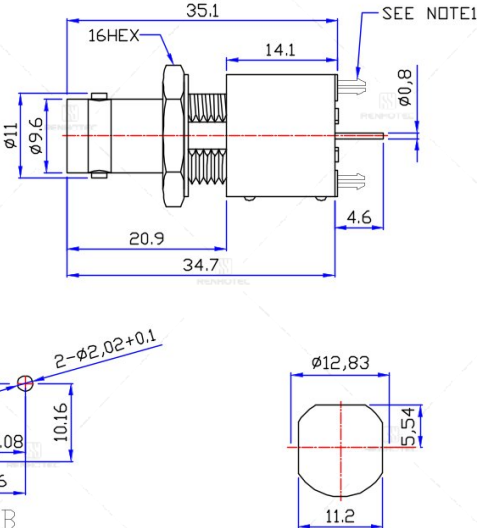
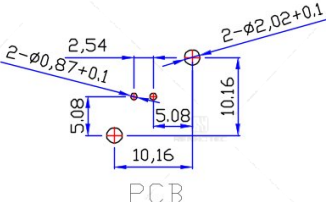


BNC Connector Straight Jack Panel Mount Bulkhead 75 Ohm - DOSIN-801-0468

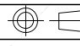



Drawing

Product NO.		DOSIN-801-0468		
REV	DESCRIPTION	DWN	DATE	APPROVEN
A	First issue	Mr. Wang	2017/01/12	
B				

SPECIFICATIONS:
 Impedance: 75 Ohms
 Frequency Range: DC~6G
 VSWR: 1.3max
 Working Voltage: 500v RMS @ SEA level
 Insulation Resistance: 5000 Ohms min
 Temperature Range: -40°C TO +140°C
 Drawings products are in line with ROHS standards

NOTE:	4	Tolerance	X. ±0.15		 Dosin Industrial (HK) Co., Ltd 东莞市德索五金电子制品有限公司 Dosin Hardware Electronics Co., Ltd
	1		X.X ±0.10		
	2		X.XX ±0.05		
		View	Angular ±5°		
DRAWN		Zelin. Zhang		Name: 15.8mm BNC JACK FOR PCB DIP180° CONNECTOR	
CHECKED				SIZE A Product NO. DOSIN-801-0468 REV A	
APPROVALS				DateTime 2017/01/12 CAD FILE H/company drawings/BD SHEET: 1 OF 1	
NO	Component Number	Material	Finish	SCALE	1:1

Basic Information

Connector Type	Jack
Contact Type	Female Pin
Fastening Type	Bayonet
Mounting Feature	Bulkhead
Mounting Type	Panel Mount
Number of Ports	1
Orientation	Straight
RF Series	BNC Type

Electrical Specification

Dielectric Withstanding Voltage	1500 V rms
Frequency Range	0-4 GHz for 50 ohm
Impedance	75 ohm

Environmental Specification

Temperature Range	POM -40°C ~+60°C, Teflon -55°C ~+155°C
-------------------	--

Mechanical Specification

Mating Durability	≥ 500 Cycles
-------------------	--------------

Material and Finish

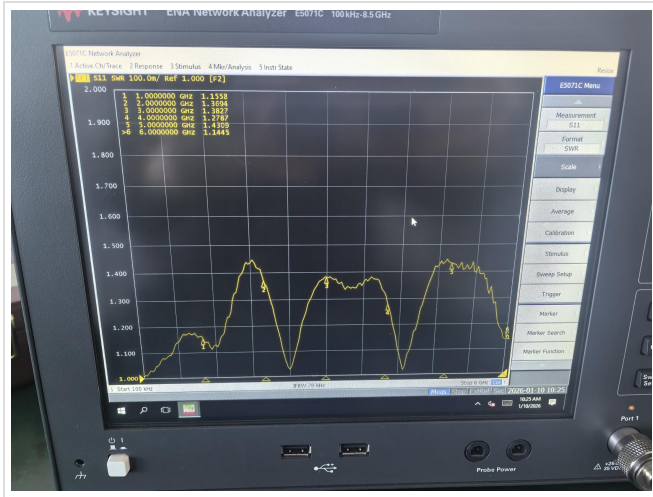
Component Description	Material	Finish
Shell	Copper Alloy	Nickel Plated
Insulator	Teflon White	
Center Contact	Copper Alloy	Gold Plated

Impedance Testing

Impedance	75 ohm
-----------	--------

Frequency & VSWR Test Report

Frequency Range	0-4 GHz for 50 ohm
VSWR	R/A type $\leq 1.30/3\text{GHz}$, Straight type $\leq 1.22/3\text{GHz}$



Contact Resistance Test

Contact Type	Female Pin
Center Contact Resistance	$\leq 1.5 \text{ M}\Omega$ (Milliohms Max.)
Outer Contact Resistance	$\leq 2.0 \text{ M}\Omega$ (Milliohms Max.)



Working Voltage & Insulation Resistance Test

Working Voltage	500 V rms
Insulation Resistance	$\geq 5 \times 10^3 M\Omega$ (Megohms MIN.)



Version History

REV	Date	Revise Contents	Drafter	Approver
A.0	2026.3.23	The initial formulation	Marcella	Joson

Disclaimer

The information in this specification is subject to change without notice. Please confirm the latest version before use. Technical parameters are for reference only, and sufficient testing and verification should be conducted in actual applications.