



MIL-DTL-26482 Series I MS3116F14-4S Female cable mount plug, 4 Pin PT06E-14-4S

Part Number:

MS3116F14-4S

Basic Information	
Connector Type	Plug
Orientation	Straight
Contact Type	Female
Shell Size	14
Contact Arrangements	14-4
Fastening Type	Bayonet
Mounting Type	Cable
Contact Termination	Solder

Material Specification	
Wire Gauge	14, 12AWG
Shell Material	Aluminum Alloy
Shell Finish	Olive Green Galvanized
Insulation Material	Synthetic Rubber
Contact Material	Copper Alloy
Contact Finish	Gold
Shell Color	Olive Green

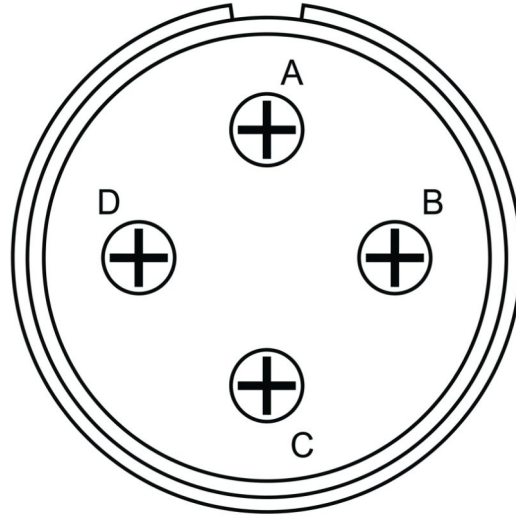
electronic_specification	
Shielding	Unshielded

Electrical Specification	
Rated Current	23A
Rated Voltage	600V AC/DC

Environmental Specification

Operating Temperature	-55°C to +125°C
-----------------------	-----------------

Contact Layout

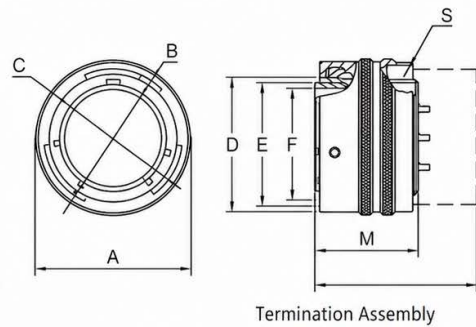


Size

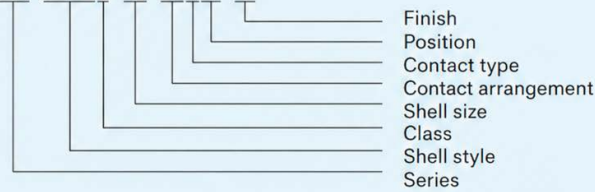
Contact Dimensions

Series MS3116 Class A, E, F, J & P
MS3116 Class A, E, F, J & P

Straight plug



Shell Size	ΦA max	ΦB +0.13 ~ -0.15	ΦC +0.13 ~ -0.03	ΦD +0.13 ~ -0.15	ΦE +0.03 ~ -0.13	ΦF min	M ± 0.13	S THD-2A
8	19.86	14.63	12.22	10.11	9.07	7.42	21.10	7/16-28UNEF
10	23.52	17.70	15.23	13.36	12.32	10.39	21.10	9/16-24UNEF
12	26.49	22.12	19.33	17.14	15.17	13.28	21.10	11/16-24UNEF
14	30.05	25.27	22.48	20.32	18.34	16.46	21.10	13/16-20UNEF
16	33.15	28.45	25.65	23.49	21.52	19.61	21.10	15/16-20UNEF
18	35.33	31.62	28.85	26.03	24.06	21.89	21.10	1 1/16-18UNEF
20	38.89	34.80	32.00	29.21	27.23	25.07	24.90	1 3/16-18UNEF
22	42.06	37.97	35.18	32.39	30.41	28.22	24.90	1 5/16-18UNEF
24	45.13	41.25	38.35	35.56	33.58	31.42	26.40	1 7/16-18UNEF

How to Order
MS 3112E 12-10PW **

 Finish
 Position
 Contact type
 Contact arrangement
 Shell size
 Class
 Shell style
 Series

Series

 26482 MS 26482
 MS 26482 Military

Shell size

8, 10, 12, 14, 16, 18, 20, 22, 24

Contact type

 P - Pin contact
 S - Socket contact
 C - Feedthrough contact (only for)

Finish

 No Code Olive drab cadmium plate finish as standard
 F Electroless Nickel
 Z3 Black over Zinc plating(RoHS)
 A4 Black over Anodize
 N Nickel plating

Shell style

 3110 Wall mounting receptacle
 3111 Cable connecting plug
 3112 Box mounting receptacle
 3114 Jam Nut mounting receptacle
 3115 Dummy receptacle
 3116 Straight plug
 3119 Thru-bulkhead receptacle

Class

 A General duty, threaded back shell
 E Grommet seal except on 3112
 F Grommet seal with strain relife
 J Cable seal with clamp (31160 only)
 P Potting seal

Disclaimer

The information in this specification is subject to change without notice. Please confirm the latest version before use. Technical parameters are for reference only, and sufficient testing and verification should be conducted in actual applications.